



IQAN-G11 **Remote Diagnostics**

Electronic Control Systems



ENGINEERING YOUR SUCCESS.

Application

The IQAN-G11 is a Bluetooth® dongle that works with the MD4, MD3, MC4, MC3 and MC2 master modules in IQANdesign (4.00 or later) platform control systems.

The IQAN-G11 is designed to transmit wireless diagnostic data from the IQAN system to a smartphone with IQANsync or a tablet with IQANrun.

Installation

The unit is designed to be easily mounted in a vehicle interior or on an exterior panel. There is 1 LED provided for status signals. The unit has a molded plastic housing and built-in, sealed connector. The IQAN-G11 is constructed to be weatherproof for outdoor use.

Remote Diagnostics

The IQAN-G11 solution offers on-site short range or remote diagnostic access to machines by wireless communication together with IQAN software tools. With an IQAN-G11 connected to the master module, it is easy to perform diagnostics on a machine on-site or remotely. Trouble-shooting and updating of application software, real-time measurement and parameter adjustments can all be done wirelessly. When connecting from a remote location this can shorten the diagnostics time and reduce travel costs for the initial diagnosis of a machine issue. If a repair is needed, the service technician will be better prepared with preliminary information and can bring all the necessary spare parts and tools needed to get the machine running quickly.

General

Weight	60 g
Temperature range	
- Operating, ambient	-40 to +85 °C
- Storage, ambient	-40 to +105 °C
Protection	outdoor use
Voltage supply	9 - 32 Vdc
Current consumption	
- 28 Vdc	10 mA
- 12 Vdc	17 mA
Start up time	< 3 seconds

Markings/approvals

- FCC ID	VPYLBZY
- IC	772C-VPZY
- CE marking	2004/108/EC
- E-mark	ECE 10.05:2014, E5 10R-05273

Communication interfaces

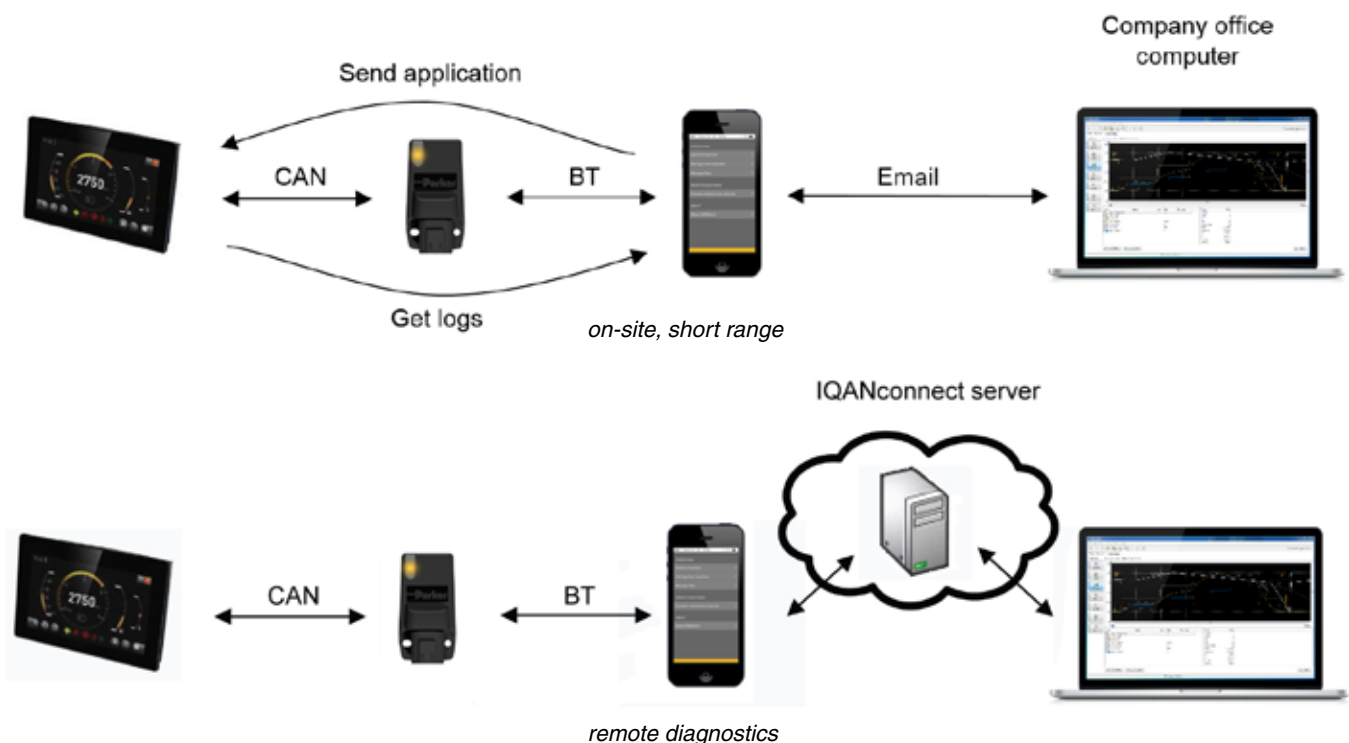
CAN	1
- Protocol	IQAN Diagnostic Protocol
Bluetooth	1
- Protocol	Bluetooth 4.0 LE
- Range	up to 20m (typical 5-10)

Connector interfaces

Power/CAN	Deutsch DT, 4 pin
-----------	-------------------

Ordering part number

IQAN-G11	20085100
Connector	5031113



Environmental protection

EMI

ISO 13766:2010/ISO 14982:2009, radiated emission
EN 55025:2008, 0.15-108 MHz, conducted emission
ISO 11452-4:2005, conducted susceptibility
ISO 11452-2:2004, radiated susceptibility
ISO 11452-2:2004, radiated susceptibility
ISO 7637-2:2004, conducted transients susceptibility
ISO 7637-3:2007, conducted transients susceptibility

ESD

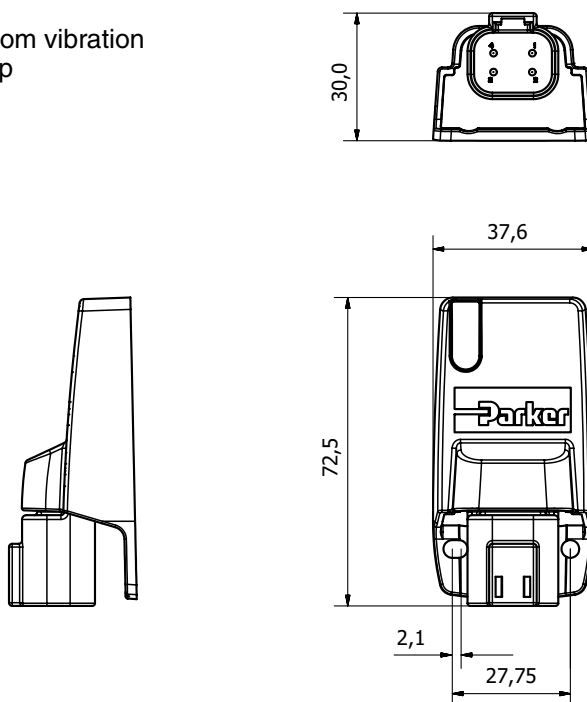
ISO 10605:2008, operation
ISO 10605:2008, handling

Mechanical environment

EN 60068-2-64:2008 Fh, random vibration
EN 60068-2-29:1987 Eb, bump

Climate environment

IEC 60529:2001;DIN 40050 Part 9:1993, IP protection
IEC 60068-2-52:1996 Kb, Salt mist
IEC 60068-2-30:2005 Db, Damp heat cyclic
IEC 60068-2-78:2001 Cab, Damp heat steady state
IEC 60068-2-2:2007 Bb, Heat, operation
IEC 60068-2-2:2007 Bb, Heat, storage
IEC 60068-2-1:1993 Ab, Cold
IEC 60068-2-14:1984 Nb, Change of temperature



units = mm



WARNING - USER RESPONSIBILITY

FAILURE OR IMPROPER SELECTION OR IMPROPER USE OF THE PRODUCTS DESCRIBED HEREIN OR RELATED ITEMS CAN CAUSE DEATH, PERSONAL INJURY AND PROPERTY DAMAGE.

This document and other information from Parker-Hannifin Corporation, its subsidiaries and authorized distributors provide product or system options for further investigation by users having technical expertise.

The user, through its own analysis and testing, is solely responsible for making the final selection of the system and components and assuring that all performance, endurance, maintenance, safety and warning requirements of the application are met. The user must analyze all aspects of the application, follow applicable industry standards, and follow the information concerning the product in the current product catalog and in any other materials provided from Parker or its subsidiaries or authorized distributors.

To the extent that Parker or its subsidiaries or authorized distributors provide component or system options based upon data or specifications provided by the user, the user is responsible for determining that such data and specifications are suitable and sufficient for all applications and reasonably foreseeable uses of the components or systems.

Offer of Sale

Please contact your Parker representation for a detailed "Offer of Sale".

Parker Worldwide

Europe, Middle East, Africa

AE – United Arab Emirates, Dubai

Tel: +971 4 8127100
parker.me@parker.com

AT – Austria, Wiener Neustadt

Tel: +43 (0)2622 23501-0
parker.austria@parker.com

AT – Eastern Europe, Wiener Neustadt

Tel: +43 (0)2622 23501 900
parker.easteurope@parker.com

AZ – Azerbaijan, Baku

Tel: +994 50 22 33 458
parker.azerbaijan@parker.com

BE/LU – Belgium, Nivelles

Tel: +32 (0)67 280 900
parker.belgium@parker.com

BG – Bulgaria, Sofia

Tel: +359 2 980 1344
parker.bulgaria@parker.com

BY – Belarus, Minsk

Tel: +48 (0)22 573 24 00
parker.poland@parker.com

CH – Switzerland, Etoy

Tel: +41 (0)21 821 87 00
parker.switzerland@parker.com

CZ – Czech Republic, Klecany

Tel: +420 284 083 111
parker.czechrepublic@parker.com

DE – Germany, Kaarst

Tel: +49 (0)2131 4016 0
parker.germany@parker.com

DK – Denmark, Ballerup

Tel: +45 43 56 04 00
parker.denmark@parker.com

ES – Spain, Madrid

Tel: +34 902 330 001
parker.spain@parker.com

FI – Finland, Vantaa

Tel: +358 (0)20 753 2500
parker.finland@parker.com

FR – France, Contamine s/Arve

Tel: +33 (0)4 50 25 80 25
parker.france@parker.com

GR – Greece, Athens

Tel: +30 210 933 6450
parker.greece@parker.com

HU – Hungary, Budaoers

Tel: +36 23 885 470
parker.hungary@parker.com

IE – Ireland, Dublin

Tel: +353 (0)1 466 6370
parker.ireland@parker.com

IT – Italy, Corsico (MI)

Tel: +39 02 45 19 21
parker.italy@parker.com

KZ – Kazakhstan, Almaty

Tel: +7 7273 561 000
parker.easteurope@parker.com

NL – The Netherlands, Oldenzaal

Tel: +31 (0)541 585 000
parker.nl@parker.com

NO – Norway, Asker

Tel: +47 66 75 34 00
parker.norway@parker.com

PL – Poland, Warsaw

Tel: +48 (0)22 573 24 00
parker.poland@parker.com

PT – Portugal

Tel: +351 22 999 7360
parker.portugal@parker.com

RO – Romania, Bucharest

Tel: +40 21 252 1382
parker.romania@parker.com

RU – Russia, Moscow

Tel: +7 495 645-2156
parker.russia@parker.com

SE – Sweden, Spånga

Tel: +46 (0)8 59 79 50 00
parker.sweden@parker.com

SK – Slovakia, Banská Bystrica

Tel: +421 484 162 252
parker.slovakia@parker.com

SL – Slovenia, Novo Mesto

Tel: +386 7 337 6650
parker.slovenia@parker.com

TR – Turkey, Istanbul

Tel: +90 216 4997081
parker.turkey@parker.com

UA – Ukraine, Kiev

Tel: +48 (0)22 573 24 00
parker.poland@parker.com

UK – United Kingdom, Warwick

Tel: +44 (0)1926 317 878
parker.uk@parker.com

ZA – South Africa, Kempton Park

Tel: +27 (0)11 961 0700
parker.southafrica@parker.com

North America

CA – Canada, Milton, Ontario

Tel: +1 905 693 3000

US – USA, Cleveland

(industrial)
Tel: +1 216 896 3000

US – USA, Elk Grove Village

(mobile)
Tel: +1 847 258 6200

Asia Pacific

AU – Australia, Castle Hill

Tel: +61 (0)2-9634 7777

CN – China, Shanghai

Tel: +86 21 2899 5000

HK – Hong Kong

Tel: +852 2428 8008

ID – Indonesia, Tangerang

Tel: +62 21 7588 1906

IN – India, Mumbai

Tel: +91 22 6513 7081-85

JP – Japan, Fujisawa

Tel: +81 (0)4 6635 3050

KR – South Korea, Seoul

Tel: +82 2 559 0400

MY – Malaysia, Shah Alam

Tel: +60 3 7849 0800

NZ – New Zealand, Mt Wellington

Tel: +64 9 574 1744

SG – Singapore

Tel: +65 6887 6300

TH – Thailand, Bangkok

Tel: +662 186 7000

TW – Taiwan, New Taipei City

Tel: +886 2 2298 8987

VN – Vietnam, Ho Chi Minh City

Tel: +84 8 3999 1600

South America

AR – Argentina, Buenos Aires

Tel: +54 3327 44 4129

BR – Brazil, Cachoeirinha RS

Tel: +55 51 3470 9144

CL – Chile, Santiago

Tel: +56 2 623 1216

MX – Mexico, Toluca

Tel: +52 72 2275 4200



EMEA Product Information Centre

Free phone: 00 800 27 27 5374

(from AT, BE, CH, CZ, DE, DK, EE, ES, FI, FR, IE, IL, IS, IT, LU, MT, NL, NO, PL, PT, RU, SE, SK, UK, ZA)

US Product Information Centre

Toll-free number: 1-800-27 27 537

www.parker.com