



aerospace
climate control
electromechanical
filtration
fluid & gas handling
hydraulics
pneumatics
process control
sealing & shielding



PUSH-TO-CONNECT FITTINGS

For Pneumatic Automation, Potable Water,
and Aggressive Service Applications



ENGINEERING YOUR SUCCESS.

Connecting you to higher productivity.

Improved throughput, increased efficiency, smaller footprints, faster assembly, and leak-free innovation.

Our technically superior push-to-connect fittings, valves, cartridges, tubing, and accessories have been designed to engineer your success, offering you new ways to create value. Our partnership approach allows us to work together to create the solutions you need to operate more efficiently and effectively.

FOOD PROCESSING

Meeting Stringent Sanitary and Aseptic Standards



Types of Applications

MIXING • BAKING • COOLING • PACKAGING • FILLING • WASHING • LABELING • CONVEYING

Performance Expectations

- FDA compliance
- Hygienic design
- Compact
- Highly reliable
- Ability to work in vacuum
- Wide range of chemical compatibility
- Ability to withstand high temperatures
- Detectability

Applicable Products

NEW! Prestolok® PLM Metal Fittings
NEW! Prestolok® PLS Stainless Steel Fittings
LIQUIfit™ Fittings
Flow Controls

WATER AND BEVERAGE

Keeping it Clean, Keeping it Safe



Types of Applications

FILTRATION • PURIFICATION • PROCESSING • DISPENSING • BOTTLING • TREATMENT

Performance Expectations

- Manufactured from FDA-compliant materials
- Meet NSF-61 requirements for potable water contact
- Excellent chemical resistance
- Wide range of fluid compatibility
- Mechanical resistance
- Installation flexibility

Applicable Products

LIQUIfit™ Fittings
TrueSeal™ Thermoplastic Fittings
Flow Controls

PETROCHEMICAL

Improving Durability, Lessening Risk



Types of Applications

PROCESSING • TRANSFERRING • PNEUMATIC CIRCUITS • COOLING • MEASURING

Performance Expectations

- High chemical resistance
- Robust design
- Wide temperature range
- Quality traceability

Applicable Products

NEW! Prestolok® PLM Metal Fittings
NEW! Prestolok® PLS Stainless Steel Fittings
Prestolok® PLP Metal Fittings
TrueSeal™ Kynar® Fittings
Flow Controls

LIFE SCIENCE

Collaborating for Leak-Free Innovation



Types of Applications

OXYGEN TRANSFER • FLUID TRANSFER • DISPENSING • CLEANING AND STERILIZATION • PNEUMATIC CIRCUITS

Performance Expectations

- Quality traceability
- Cleanliness
- Compact design
- Suitable for use with O₂
- High reliability
- Installation flexibility

Applicable Products

Prestolok® PLP Composite Fittings
NEW! Prestolok® PLM Metal Fittings
NEW! Prestolok® PLS Stainless Steel Fittings
LIQUIfit™ Fittings
Flow Controls

FACTORY/PROCESS AUTOMATION

Increasing Performance, Standardizing Inventory



Types of Applications

PROCESSING • TRANSFERRING • PNEUMATIC CIRCUITS • COOLING • MEASURING

Performance Expectations

- Compact design
- Weld splatter resistance
- Robustness
- Vacuum performance
- High reliability
- Mechanical resistance
- Installation flexibility

Applicable Products

Prestolok® PLP Metal Fittings
Prestolok® PLP Composite Fittings
NEW! Prestolok® PLM Metal Fittings
NEW! Prestolok® PLS Stainless Steel Fittings
LIQUIfit™ Fittings
TrueSeal™ Thermoplastic Fittings
Flow Controls

NEW!

PRESTOLOK® PLM METAL FITTINGS



Product Features:

- High phosphorus, FDA-compliant, chemical-resistant, nickel-plated collet and body
- FKM seal
- Chemical, corrosion, and abrasion resistance
- NPT, BSPT, BSPP, and metric threads

Markets: Industrial, Chemical, Life Science, Automation, Food Processing

Applications: Food fluids, harsh detergents, cleaning in cold/hot water, steam, oils

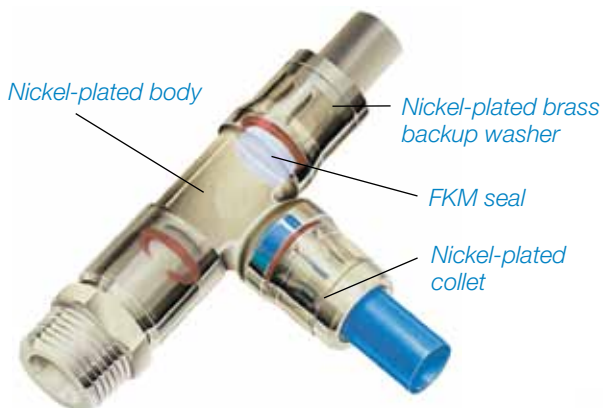
COMPATIBLE TUBING

Polyethylene

Polyurethane 95 Durometer Shore A

FEP

Nylon



NEW!

PRESTOLOK® PLS FITTINGS



Product Features:

- Stainless steel 303L collet
- Stainless steel 316L body
- FKM seal
- Stainless steel 316L backup washer
- Chemical, corrosion, and abrasion resistance
- Hygienic design reduces retention zones for easy cleaning
- NPT, BSPT, BSPP, and metric threads

Markets: Petrochemical, Life Science, Pulp & Paper, Food Processing, Wash Down

Applications: Food fluids, chemicals, cleaning agents

COMPATIBLE TUBING

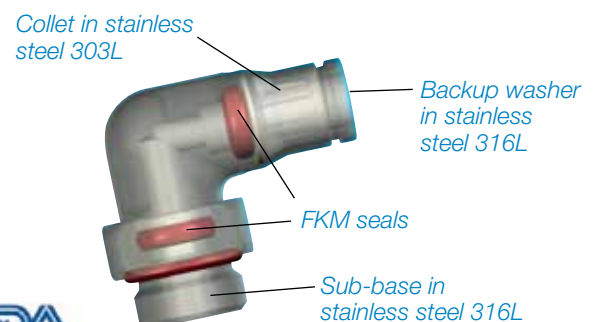
Semi-rigid nylon

Polyethylene

Polyurethane 95 Durometer Shore A

Stainless steel (grooved)

Copper (grooved)



PRESTOLOK® PLP Metal and Composite Fittings

PRESTOLOK® PLP METAL FITTINGS



Product Features:

- Stainless steel grab ring
- Nickel-plated brass body
- Nitrile seal
- Polyacetal release button
- Corrosion resistance
- NPT, BSPT, BSPP, and metric threads

Markets: Industrial, Automotive, Climate Control, Welding, Packaging

Applications: Air, oil, inert gases, vacuum

COMPATIBLE TUBING

Polyethylene

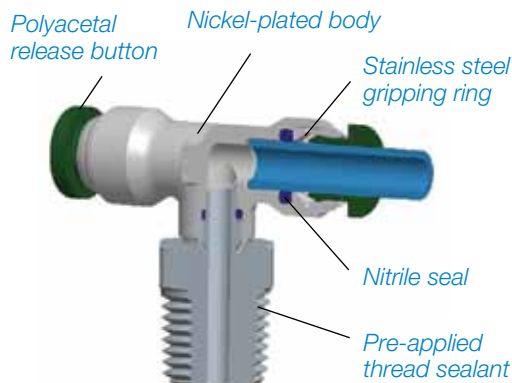
Polypropylene

Plasticized nylon

Unplasticized nylon

Polyurethane 90 Durometer Shore A

Polyurethane 95 Durometer Shore A



PRESTOLOK® PLP COMPOSITE FITTINGS



Product Features:

- Stainless steel grab ring
- Glass-reinforced nylon 6.6 body
- Nitrile D-seal
- Nylon release button
- Corrosion and chemical resistance
- NPT, BSPT, BSPP, and metric threads

Markets: Pneumatic, Industrial, Robotic, Automation, Printing, Packaging, Textile

Applications: Air, cutting fluids, inert gases, vacuum

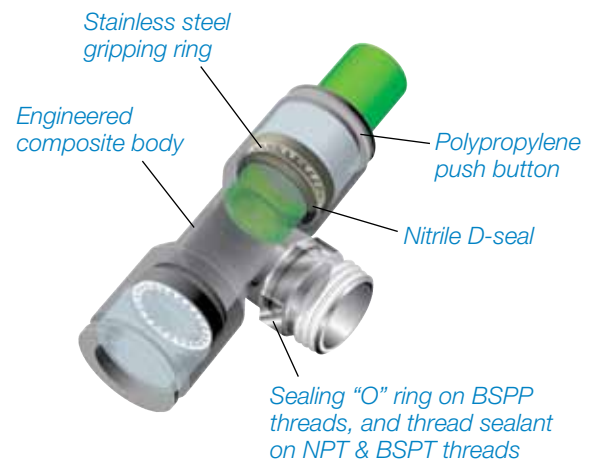
COMPATIBLE TUBING

Semi-rigid nylon

Polyurethane 95 Durometer Shore A

Nylon

Fluoropolymer



How to Order

PRESTOLOK® PLM, PLS, PLP Metal, and PLP Composite Fittings

INCHES PRESTOLOK® PLM, PLS, PLP, AND COMPOSITE FITTINGS

W 3 69 PLP BJ -4 -2
A B C D E F G

A Thread Sealant

W White Acrylic
 VS Vibra Seal
 Blank No Sealant

B Body Material

1 Metal Forging
 3 Composite

C Fitting Configuration

62 Union Y
 66 Female Connector
 68 Male Connector
 70 Female Elbow
 64 Union Tee
 65 Union Elbow
 69 Male Elbow
 71 Male Run Tee
 72 Male Branch Tee
 47 Cross
 79 45° Elbow
 22 Barbed Connector
 32 Union
 24 Multiple Tee
 67 Tube Reducer
 639 Plug

D Fitting Series

PLP Prestolok Plus & Prestolok Composite
 PLM Prestolok All Metal
 PLS Prestolok Stainless Steel

E Fitting Description

X Extended Male Elbow
 SP Standpipe
 PD Double Y
 BJ Banjo
 TJ Twin Banjo
 DJ Double Banjo
 BH Bulkhead Union
 DSP Plug-in Multiple Y
 RC Rail Connector
 DRC Double Rail Connector
 BHP Plug-in Bulkhead

METRIC PRESTOLOK® PLM, PLS, PLP, AND COMPOSITE FITTINGS

W 3 69 PLP X 6M 2 R
A B C D E F G H

F Tube Size

Inches		Metric	
2	1/8	4M	4mm
3	3/16	6M	6mm
5/32	5/32	8M	8mm
4	1/4	10M	10mm
5	5/16	12M	12mm
6	3/8	14M	14mm
8	1/2		

H Thread Type

Metric
 R BSPT
 G BSPP

G Thread Size

Inches		Metric	
0	10-32	2	1/8
1	1/16	4	1/4
2	1/8	6	3/8
4	1/4	8	1/2
6	3/8	M3	M3X0.5
8	1/2	M5	M5X0.8
		M7	M7X1
		M10	M10X1
		M12	M12X1.5

METRIC PRESTOLOK® PLP METAL

C 63 P B 6 1/4
A B C D E F

A Fitting Configuration

H Union
 W Bulkhead
 G Female Connector
 F Male Connector
 J Union Tee
 E Union Elbow
 WE Elbow Bulkhead
 C Elbow
 R Run Tee
 S Branch Tee
 COR Banjo
 SC Banjo Bolt
 TR Tube End Reducer
 TE Tube End Expander
 FN Plug

B Thread Type

Blank NPT
 3 BSPT (Male only)
 4 BSPP (Male or Female)
 8 Metric Parallel
 63 Swivel with BSPT
 64 Swivel with BSPP
 68 Swivel with Metric Taper

C Fitting Type

P Prestolok

D Fitting Material

B Brass

E Tube Size

4 4mm
 6 6mm
 8 8mm
 10 10mm
 12 12mm
 14 14mm
 16 16mm
 18 18mm
 20 20mm
 22 22mm

F Thread Size

1/16
 1/8
 1/4
 3/8
 1/2
 3/4
 M3X0.5
 M5X0.8
 M10X1
 M12X1.5
 M14X1.5
 M16X1.5
 M18X1.5
 M22X1.5

Fitting Specifications

Temperature/Pressure

Product Line	Temperature	Tube Sizes/PSI													
		1/8"	5/32"	3/16"	1/4"	5/16"	3/8"	1/2"	4mm	6mm	8mm	10mm	12mm	14mm	16mm
PLP Metal	0° to +200°F	300	300	300	300	300	300	300	300	300	300	300	300	300	
PLP Composite	-4° to +175°F	290	290	290	290	290	290	290	290	290	290	290	290	290	290
PLM	-4° to +250°F		290		290		290	290	290	290	290	290	290	290	
PLS	-4° to +245°F		290	290	290	290	290	290	290	290	290	290	290		
LIQUIfit™	35° to +200°F				230	230	190	160	230	230	230	190	160		
TrueSeal™															
Acetal	-20° to +180°F				300	300	300	250							
Polypropylene	0° to +225°F				150	150	150	150							
Kynar	0° to +275°F				300		300								

Tubing Compatibility

Product Line	Metal Tubing			Parflex Thermoplastic Tubing													Parflex/Atlantic		Polyflex				
				Industrial Tubing Series													Fluoropolymer		Tubing				
	Copper	Aluminum	Stainless Steel	Polyethylene E & EB	Polyethylene PE	Polyethylene FRPE	Polyethylene HDPE	Nylon N	Nylon PAT	Nylon NR	Polypropylene PP & PPB	Polyurethane U (90-95 Shore A)	Polyurethane HU & HUM (>95 Shore A)	Polyurethane LU (<90 Shore A)	Polyurethane FR (Weld Tubing)	Clear Vinyl	PFA Fluoropolymer	FEP Fluoropolymer	PTFE Fluoropolymer	PVDF Fluoropolymer	TPU Polyurethane	Polyethylene	
PLM	G	G																					
PLS	G	G	G																				
PLP Metal																							
PLP Composite																							
LIQUIfit™																							
TrueSeal™	MG								MG		TS	TS			TS								

- Compatible
- MG Metal Gripper Collet
- TS Tube Support Recommended
- G Tubing must be Grooved

LIQUIFIT™



Product Features:

- Stainless steel grab ring
- Engineered polymer body
- EPDM D-seal
- No pumping effect
- NPT, BSPT threads

Markets: Water Filtration, Beverage Dispensing, Life Science, Bottling

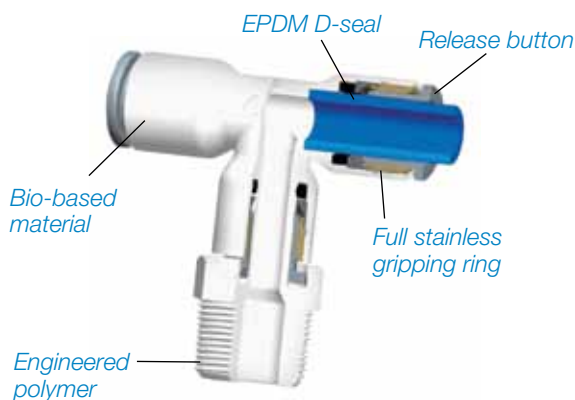
Applications: Water, beverages, food, CO₂

COMPATIBLE TUBING

Polyethylene

Polypropylene

Nylon



How to Order

INCHES LIQUIFIT™

6505	56	11	W	P2
A	B	C	D	E

METRIC LIQUIFIT™

6509	06	13	W	P2
A	B	C	D	E

A Fitting Configuration

6505 Male Connector	6351 End Stop
6315 Female Connector	6521 Stem Adapter
6306 Union Connector	6509 Swivel Elbow
6404 Union Tee	6508 Swivel Branch Tee
6316 Bulkhead Union	6382 Plug-in Elbow
6579 Fixed Elbow	6383 Plug-in Run Tee
6353 Faucet Connector	6326 Plug
6302 Union Elbow	6322 Stem to Hose Barb
6340 Union Y Connector	6503 Swivel Run Tee
6366 Reducer	6548 Swivel Y Connector
6388 Plug-in Tee	6380 Plug-in 45° Elbow
6307 Cross	

B Tube/Stem Size

Inches	Metric
11	1/8
56	1/4
08	5/16
60	3/8
62	1/2

C Thread or Tube OD

Inches	Metric
00	Same Size as Tube
11	1/8
14	1/4
18	3/8
22	1/2
133	7/16-24

D Color Code

W	White
G	Gray

E Packaging

P2	Standard Packaging
----	--------------------

TRUESEAL™



Product Features:

- Metal gripper collet with stainless steel bite edge
- Acetal, polypropylene, and Kynar body material; EPDM seal in acetal and polypropylene fluorocarbon in Kynar material
- Push button release
- NPT threads

Markets: Food, Potable Water, Chemical, Filtration

Applications: Air, water, soft drinks, beer, wine, dyes

COMPATIBLE TUBING

Polyethylene

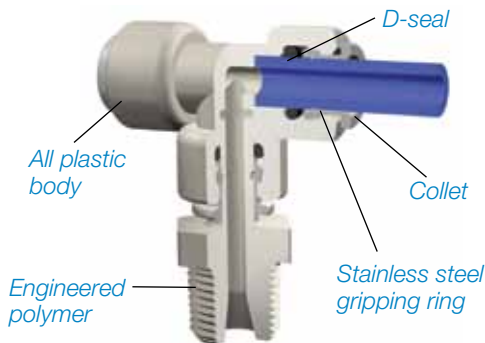
Polypropylene

Nylon

Vinyl

Fluoropolymer

Polyurethane



How to Order

INCHES TRUESEAL™

A 4 ME 2 -MG
A **B** **C** **D** **E**

A Fitting Material

A Acetal
 PP Polypropylene
 F Kynar

B Tube Size

4 1/4
 5 5/16
 6 3/8
 8 1/2

C Fitting Configuration

MC	Male Connector	TMC	Tube Stem Adapter
EU	Elbow Union	BU	Bulkhead Union
TU	Tee Union	TEU	Tube Elbow Union
WY	"Y" Union	RD	Tube Reducer
MES	Male Elbow Swivel	CAP	Tube Cap
MRS	Male Run Swivel	FE	Female Elbow
MTS	Male Tee Swivel	ME	Male Elbow
UC	Union	ST	Straight Thread
CU	Cross	TCB	Tube-to-Barb Stem
FA	Faucet Adapter	TEB	Tube Elbow
FC	Female Connector		Barb Connector
FF	45° Female Flare	TPL	Plug

D Thread Size

2 1/8
 4 1/4
 6 3/8
 7 7/16-24
 8 1/2
 9 9/16-18

E Gripper Material

MG Metal Gripper
 Blank Plastic Gripper



FLOW CONTROLS



Product Features:

- Control the speed of a pneumatic cylinder
- Adjustable restrictor controls the exhaust air flow; inlet flow is unrestricted full bore
- Can be placed in line or fitted to the cylinder; direct mounting onto the cylinder is preferred for more precise and constant flow regulation
- Compact, miniature, and swivel flow controls designed for reduced space applications
- Metal and stainless steel flow controls available for use in severe conditions (temperature, sparks, abrasion, etc.)

Markets: Factory/Process Automation, Life Science, Food Processing, Water and Beverage, Petrochemical

Applications: Packaging, filling, dispensing, bottling, pneumatic circuits

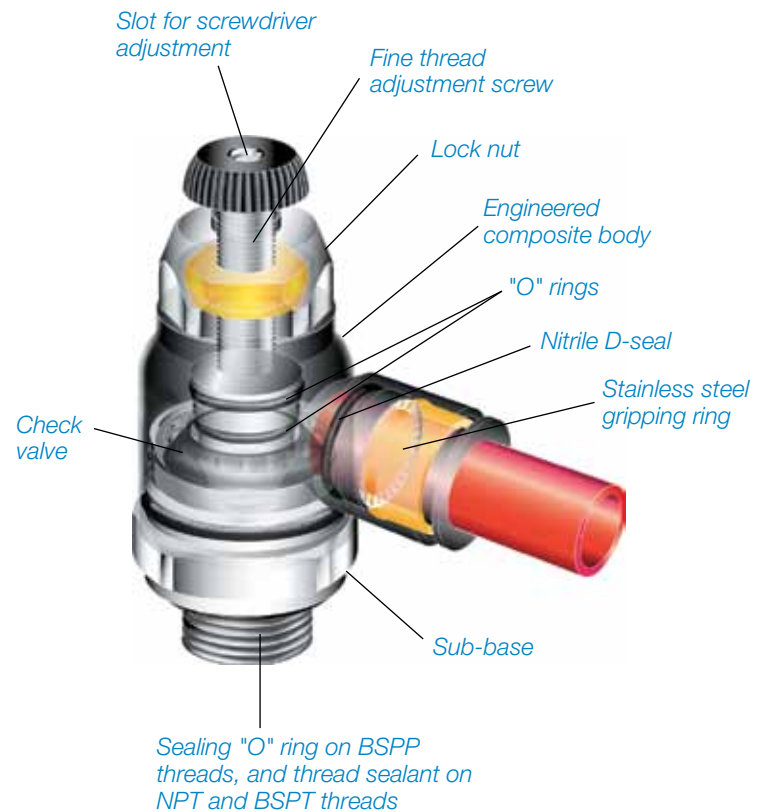
COMPATIBLE TUBING

Semi-rigid nylon

Polyurethane 95 Durometer Shore A

Nylon

Fluoropolymer



Flow Control Specifications

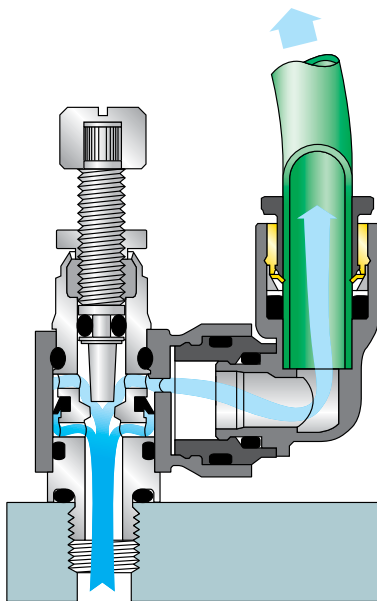
Temperature/Pressure

Product	Temperature	Tube Sizes/PSI											
		1/8"	5/32"	1/4"	5/16"	3/8"	1/2"	4mm	6mm	8mm	10mm	12mm	14mm
90 Degree Models	30° to 160°F	145	145	145	145	145		145	145	145	145	145	145
Swivel Outlet Models	30° to 160°F		145	145		145		145	145	145	145	145	
In-line Models	30° to 160°F		145	145	145	145	145	145	145	145	145	145	
Plug-in Models	30° to 160°F	145	145	145				145	145	145	145	145	

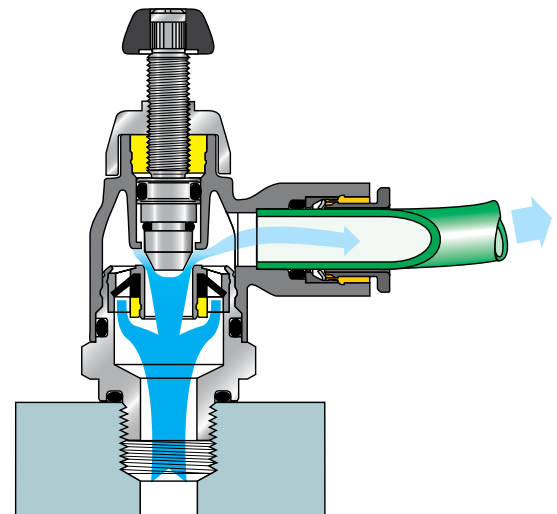
Specifications

Product	Material			Size		Type of Adjustment		Types of Threads				
	Nylon	Brass	Stainless	Compact	Miniature	External Screw	Knobless	NPT	UNF	BSPT	BSPP	Metric
90 Degree Models												
Swivel Outlet Models												
In-line Models												
Plug-in Models												

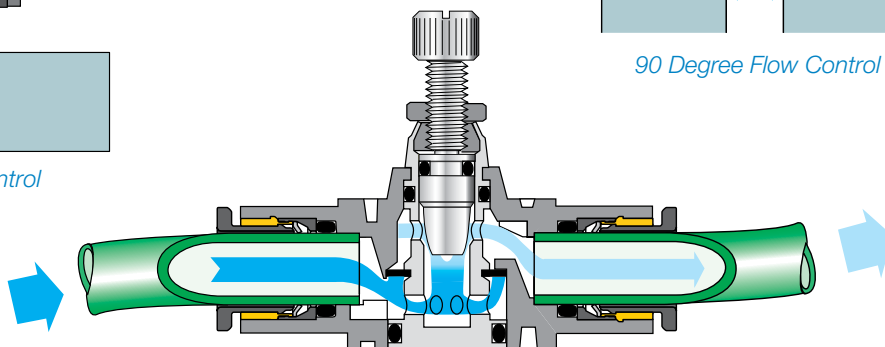
 Available



Swivel Outlet Flow Control



90 Degree Flow Control



In-line Flow Control

Parker Fluid Connectors Group

North American Divisions & Distribution Service Centers

Your complete source for quality tube fittings, hose & hose fittings, brass & composite fittings, quick-disconnect couplings, valves and assembly tools, locally available from a worldwide network of authorized distributors.

Fittings:

Available in inch and metric sizes covering SAE, BSP, DIN, GAZ, JIS and ISO thread configurations, manufactured from steel, stainless steel, brass, aluminum, nylon and thermoplastic.

Hose, Tubing and Bundles:

Available in a wide variety of sizes and materials including rubber, wire-reinforced, thermoplastic, hybrid and custom compounds.

Worldwide Availability:

Parker operates Fluid Connectors manufacturing locations and sales offices throughout North America, South America, Europe and Asia-Pacific.

For information, call toll free...

1-800-C-PARKER
(1-800-272-7537)

North American Divisions

Energy Products Division

Stafford, TX
phone 281 566 4500
fax 281 530 5353

Fluid System Connectors Division

Otsego, MI
phone 269 694 9411
fax 269 694 4614

Hose Products Division

Wickliffe, OH
phone 440 943 5700
fax 440 943 3129

Industrial Hose Division

Strongsville, OH
phone 440 268 2120
fax 440 268 2230

Parflex Division

Ravenna, OH
phone 330 296 2871
fax 330 296 8433

Quick Coupling Division

Minneapolis, MN
phone 763 544 7781
fax 763 544 3418

Tube Fittings Division

Columbus, OH
phone 614 279 7070
fax 614 279 7685

Distribution Service Centers

Buena Park, CA

phone 714 522 8840
fax 714 994 1183

Conyers, GA

phone 770 929 0330
fax 770 929 0230

Louisville, KY

phone 502 937 1322
fax 502 937 4180

Portland, OR

phone 503 283 1020
fax 503 283 2201

Toledo, OH

phone 419 878 7000
fax 419 878 7001
fax 419 878 7420
(FCG Kit Operations)

Canada

Grimsby, ONT

phone 905 945 2274
fax 905 945 3945
(Contact Grimsby for other Service Center locations.)

