

PARTS LIST					
NO.	DESCRIPTION	PART NO.	DWG NO.	MATL	QTY
1	HEAD ASSEMBLY	15011	B-16416	SST.	1
2	HEAD	15011-1	C-16414	ASTM A-351 GR. CF8M SST.	*
3	STUD	15010-2	A-12433	ASTM A-479 TYPE 316 SST.	*
4	BOWL ASSEMBLY	C01-0062	B-18560	316 SST.	1
5	BOWL	C01-0061	C-18558	316 SST.	**
6	COLLAR	15152	C-16413	ASTM A-479 TYPE 316 SST.	**
7	NUT	A02-0020	A-17290	ASTM A-479 TYPE 316 SST.	4
8	WASHER, FLAT, 1/2" (TYPE N)	A02-0028	A-17291	ASTM A-479 TYPE 316 SST.	4
9	TIEROD	15080	B-14022	SST.	1
10	LOCK NUT	12707	A-11321	SST.	1
11	HEAD ADAPTER	15407	C-16412	316 SST.	1
12	O-RING (-032)	22035-1	-----	VITON	1
13	O-RING (-347)	22146-1	-----	VITON	1
14	FILTER TUBE	200-80-[ ]	-----	---	---
15	1/4" NPT PIPE PLUG	11925	A-11319	316 SST.	1
16	GROMMET/RETAINER ASSEMBLY	19938-1	A-12034	SST./VITON	1
17	SUPPORT CORE	SS-200-81	B-10818	SST.	---
18	KNOB	19918	A-10732	316 SST.	1
19	THREAD PROTECTOR	21206	A-11862	PLASTIC	2

**LEGEND**

☒ = REPLACEABLE PARTS

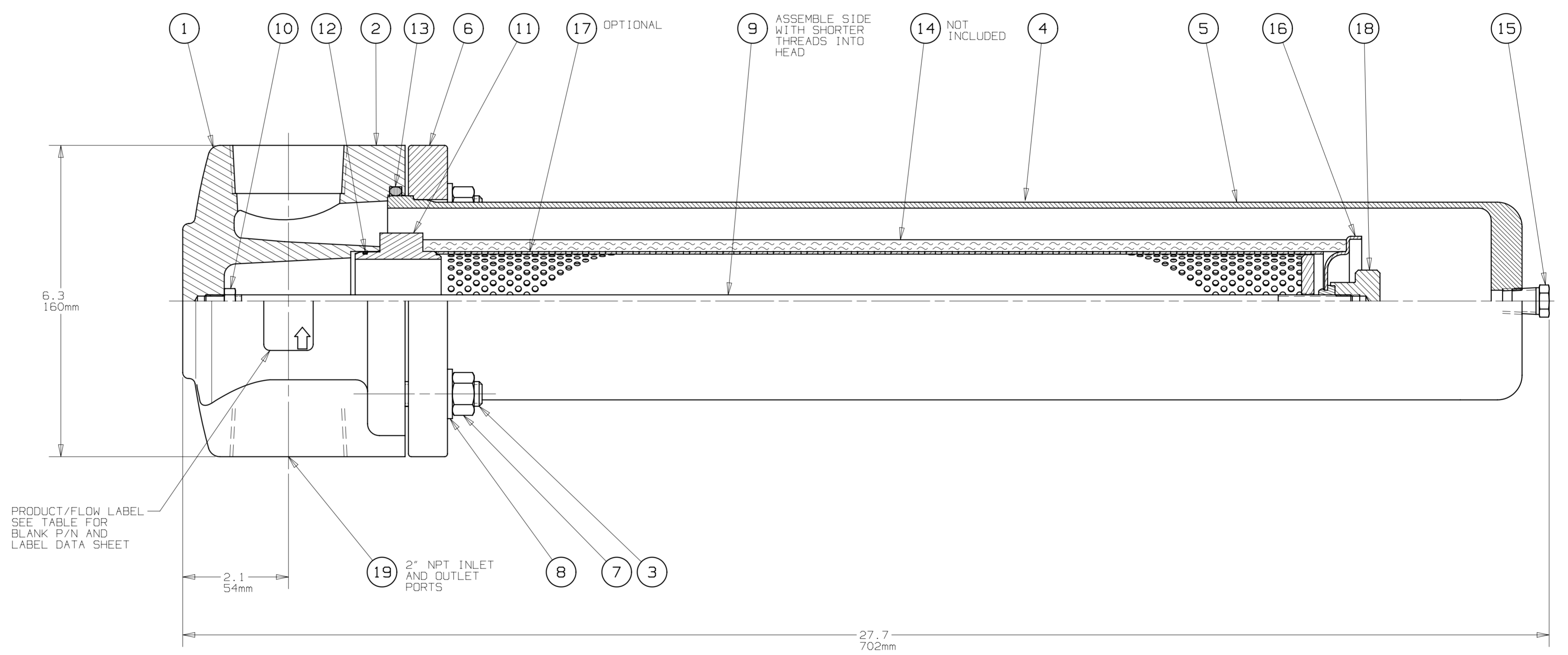
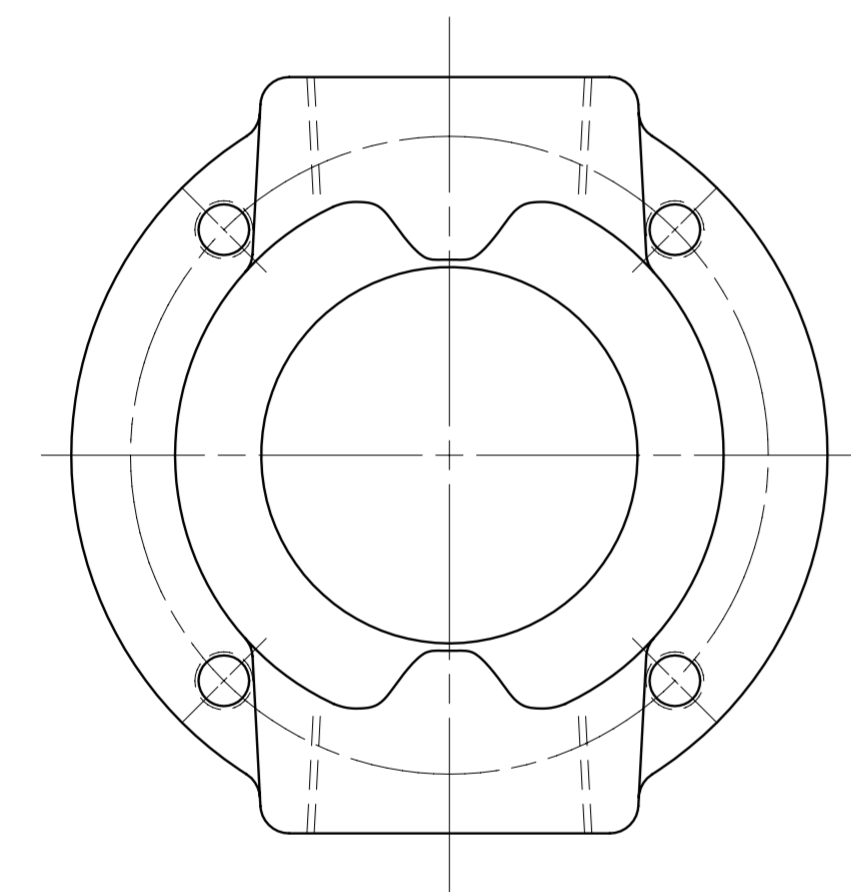
⊕ = OPTIONAL PARTS

\* = INCLUDED IN AUTOMATIC DRAIN

\*\* = INCLUDED IN BOWL ASSEMBLY

REVISIONS				
REV	ECN. NO.	DESCRIPTION	NAME	DATE
A	0815	REVISED PER ECN	S.D	8/97
B	0832	REVISED PER ECN	EHS	10/97
C	0845	REVISED PER ECN	EHS	1/98
D	0939	REVISED PER ECN	EHS	8/99
E	1124	REVISED PER ECN	PES	4/02
F	1208	REVISED PER ECN	EHS	02/03
G	1612	REVISED PER ECN	HS	12/06
H	1833	REVISED PER ECN	HS	01/10
J	2253	REVISED PER ECN	HS	10/12

SEE NOTE 2.



- NOTES:
- ALL ASSEMBLY AND PACKAGING MUST BE PERFORMED IN ACCORDANCE WITH THE APPROPRIATE MANUFACTURING METHOD SHEET SPECIFIED FOR THIS ASSEMBLY.
  - ALL O-RINGS TO BE LUBRICATED WITH APPROVED LUBRICANT ONLY.
  - ALL HOUSINGS TO BE SHIPPED WITH PLASTIC THREAD PROTECTORS (ITEM 19) INSTALLED.
  - PRESSURE RATING: 800 psig(55 bar) AT 200° F.(93°C.).
  - DESIGNED IAW ASME VIII DIV. 1 2010 ED. 2011e ADD MDMT: -20F HYDROTEST PRESSURE: 1200 PSIG. CORROSION ALLOWENCE: 0 NDE: NONE IMPACT TEST EXEMPT PER UHA-51(d) PWHT:NONE

REPLACEMENT SEAL SETS			
SEAL SET NUMBER	MAT'L	CONSISTS OF	
		NO	QTY
22146	VITON	12	1
		13	1
19938	VITON/S.S.	16	1
		13	1
22144	SILICONE	12	1
		13	1
19942	SILICONE/S.S.	16	1
		13	1
22145	EPR	12	1
		13	1
19943	EPR/S.S.	16	1

EU15/80S6	AS PACKAGED	A04-0073	LDSEU15/80S6
15/80S6	AS PACKAGED	11138	LDS15/80S6
42285	AS ASSEMBLED	NO LABELING	NO LABELING
PART NO.	DESCRIPTION	BLANK P/N	DATA SHEET
PRODUCT/FLOW LABEL			

<p>THIRD ANGLE PROJECTION</p> <p>THIS DOCUMENT CONTAINS INFORMATION THAT IS CONFIDENTIAL AND PROPRIETARY TO PARKER FILTRATION AND SEPARATION DIVISION ("PARKER"). THIS DOCUMENT IS FURNISHED ON THE UNDERSTANDING THAT THE DOCUMENT AND THE INFORMATION IT CONTAINS WILL NOT BE COPIED OR DISCLOSED TO OTHERS OR USED FOR ANY PURPOSE OTHER THAN CONDUCTING BUSINESS WITH PARKER, AND WILL BE RETURNED AND ALL FURTHER USE DISCONTINUED UPON REQUEST BY PARKER. COPYRIGHT PARKER, YEAR OF COPYRIGHT IS FIRST YEAR INDICATED ON THIS DOCUMENT. ALL RIGHTS RESERVED.</p>	<p>TOLERANCES EXCEPT AS NOTED</p> <p>.XX X.Xmm ±.015 ±.38mm</p> <p>.XXX XX.XXmm ±.005 ±.13mm</p> <p>ANGULAR ±1°</p> <p>83 SURFACE ROUGHNESS OR BETTER</p> <p>REMOVE ALL BURRS AND SHARP EDGES.</p>	<p>ENG. APVD.: DATE:</p> <p>CHK'D BY: DATE:</p>	<p><b>Parker</b>   <b>Balston</b></p> <p>Parker Hannifin Corporation Filtration and Separation Division Haverhill, Massachusetts USA</p>
		<p>DRAWN BY: DATE:</p> <p>PES 5/31/97</p>	<p>TITLE:</p> <p>FILTER ASSEMBLY</p>
		<p>MAT'L:</p> <p>SEE PARTS LIST</p>	<p>FINISH:</p> <p>-----</p> <p>MODEL NO.: SEE TABLE</p> <p>SCALE: .625 : 1</p> <p>SHEET: 1 OF 1</p>
		<p>P/N:</p> <p>SEE TABLE</p>	<p>DWG. NO.:</p> <p>D-16418</p>