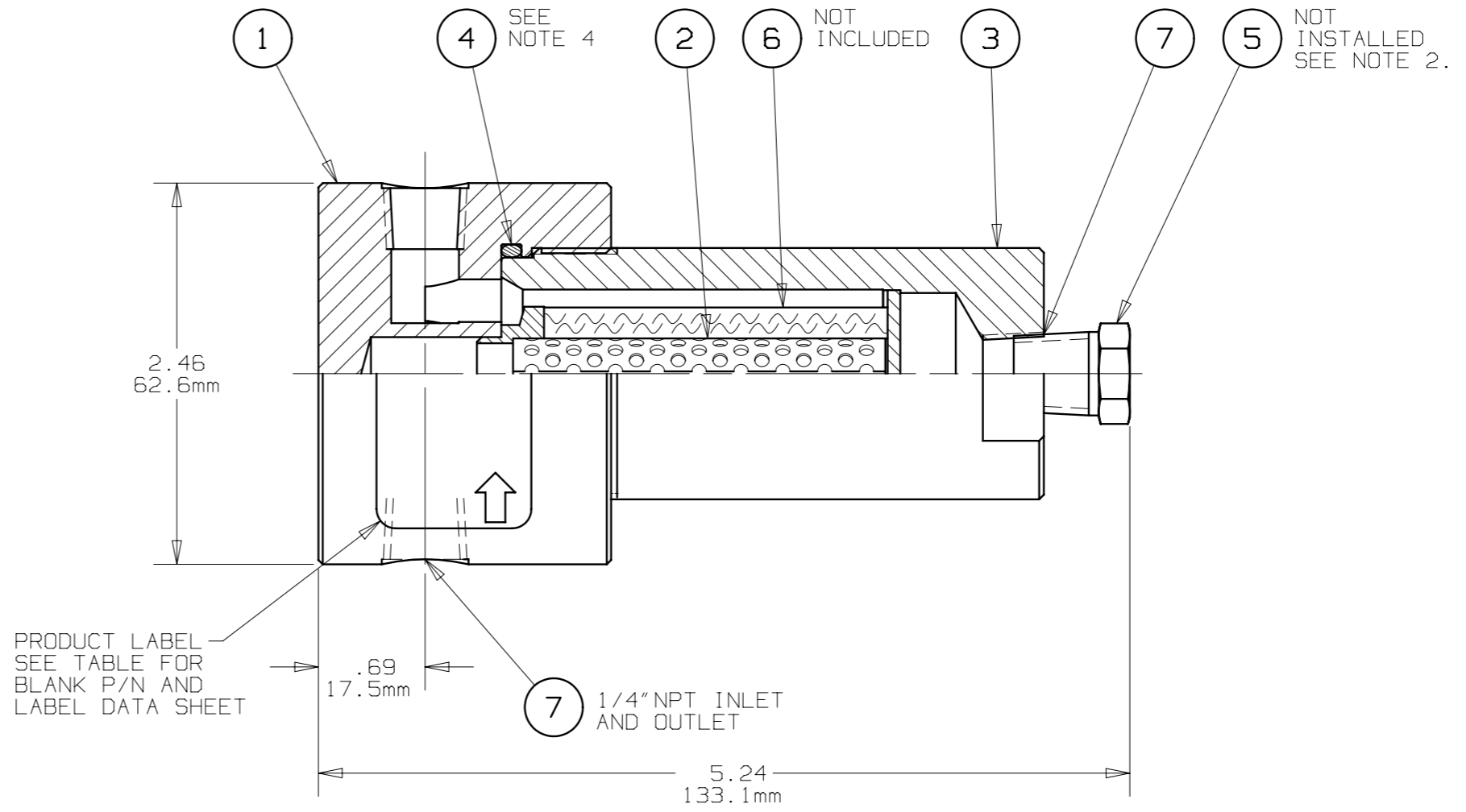
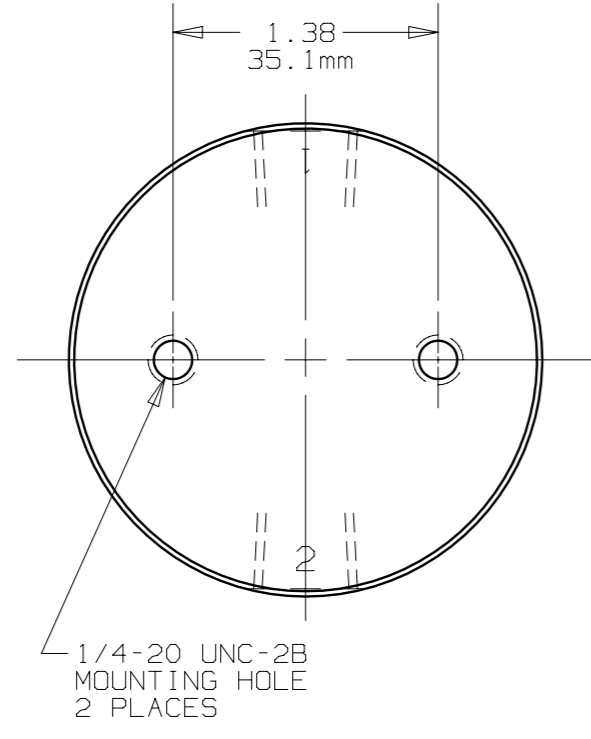


PARTS LIST						
NO.	DESCRIPTION	PART NO.	DWG NO.	MATL	QTY	⊗ ⊕
1	HEAD ASSEMBLY	85601	B-12903	316 ST.STL.	1	⊗ ⊕
2	SUPPORT CORE	SS-050-11	B-12176	316 ST.STL.	*	⊗ ⊕
3	BOWL	85600	C-12873	316 ST.STL.	1	⊗ ⊕
4	O-RING (-128)	22085-1	-----	VITON	1	⊗ ⊕
5	PIPE PLUG	11925	A-11319	316 ST.STL.	1	⊗ ⊕
6	FILTER TUBE	050-11-[]	-----	-----	-	⊗ ⊕
7	THREAD PROTECTOR	21208	A-11862	PLASTIC	3	⊗ ⊕
-	MOUNTING BRACKET KIT	11085	A-11714	STL/PLD	-	⊗ ⊕

LEGEND

- ⊗ = REPLACEABLE PARTS
- ⊕ = OPTIONAL PARTS
- [] = INDICATE FILTER GRADE (BX OR DX)
- * = INCLUDED IN HEAD ASSEMBLY (ITEM 1)

REVISIONS				
REV	ECN/ECO	DESCRIPTION	NAME	DATE
A	0650	REVISED PER ECN	BJR	02/96
B	1124	CHANGED PER ECN	PES	04/02
C	1612	CHANGED PER ECN	HS	12/06
D	0100782	REVISED PER ECO	HS	03/15



- NOTES:
- MOUNTING BRACKET KIT P/N 11085 (OPTIONAL) INCLUDES BRACKET AND (2) MOUNTING SCREWS.
 - ALL ASSEMBLY AND PACKAGING MUST BE PERFORMED IN ACCORDANCE WITH THE APPROPRIATE MANUFACTURING METHOD SHEET SPECIFIED FOR THIS ASSEMBLY.
 - HOUSING TO BE SHIPPED WITH PLASTIC THREAD PROTECTORS (ITEM 7) INSTALLED.
 - ALL O-RINGS TO BE LUBED WITH APPROVED LUBRICANT ONLY.
 - PRESSURE RATING: 5000 psig(345 barg) AT 200° F.(93° C).

EU85	AS PACKAGED	A04-0073	LDSEU85
85	AS PACKAGED	11138	LDS85
85-1	AS ASSEMBLED	11138	LDS85
PART NO.	DESCRIPTION	BLANK P/N	DATA SHEET
PRODUCT/FLOW LABEL			

PROJECTION: THIRD ANGLE

TOLERANCES EXCEPT AS NOTED

XX	± .015
Xmm	± .38mm
.XXX	± .005
XX.XXmm	± .13mm
ANGULAR	± 1°
SURFACE ROUGHNESS	63 OR BETTER

MUST COMPLY WITH PARKER DOCUMENT FCD-REG-0001

REMOVE ALL BURRS AND SHARP EDGES.

ENG. APVD.: DATE: APPROVAL ON FILE IN PLM

CH'KD BY: DATE: APPROVAL ON FILE IN PLM

DRAWN BY: DATE: B.R. 1-5-89

MAT'L: SEE PARTS LIST

Parker **Balston** Parker Hannifin Corporation
 Filtration and Separation Division
 Haverhill, Massachusetts USA

TITLE: FILTER HOUSING

MODEL NO.: 85

SCALE: 1 : 1 SHEET: 1 OF 1

P/N: SEE TABLE DWG. NO.: C-13009

REPLACEMENT SEAL SETS				
SEAL SET NUMBER	MAT'L	CONSISTS OF		
		NO.	QTY	PART NO.
22085	VITON	4	1	22085-1