

PARTS LIST						
NO.	DESCRIPTION	PART NO.	DWG NO.	MATL	QTY	⊗ ⊕
1	HEAD ASSEMBLY		B-18410	316 SS	1	⊗ ⊕
2	BOWL WELDMNT		C-18388	316 SS	1	⊗ ⊕
3	TIEROD		B-15358	316 SS	1	⊗ ⊕
4	NUT		A-11321	316 SS	1	⊗ ⊕
5	ELEMENT RETAINER		B-11822	316 SS	1	⊗ ⊕
6	O-RING (-235)		-----	VITON	1	⊗ ⊕
7	O-RING (-239)		-----	TEFLON	--	⊗ ⊕
8	MOUNTING SCREW (M10)		A-11320	ST.STL.	2	⊗ ⊕
9	1/4"NPT PIPE PLUG		A-11319	316 SS	2	⊗ ⊕
10	FILTER TUBE		-----	-----	--	⊗ ⊕
11	THREAD PROTECTOR		A-11862	PLASTIC	2	⊗ ⊕
12	SUPPORT CORE		B-14747	316 SS	--	⊗ ⊕
--	FILTER CARTRIDGE		-----	-----	--	⊗ ⊕
--	MOUNTING BRACKET		B-12846	STL/PLD	--	⊗ ⊕

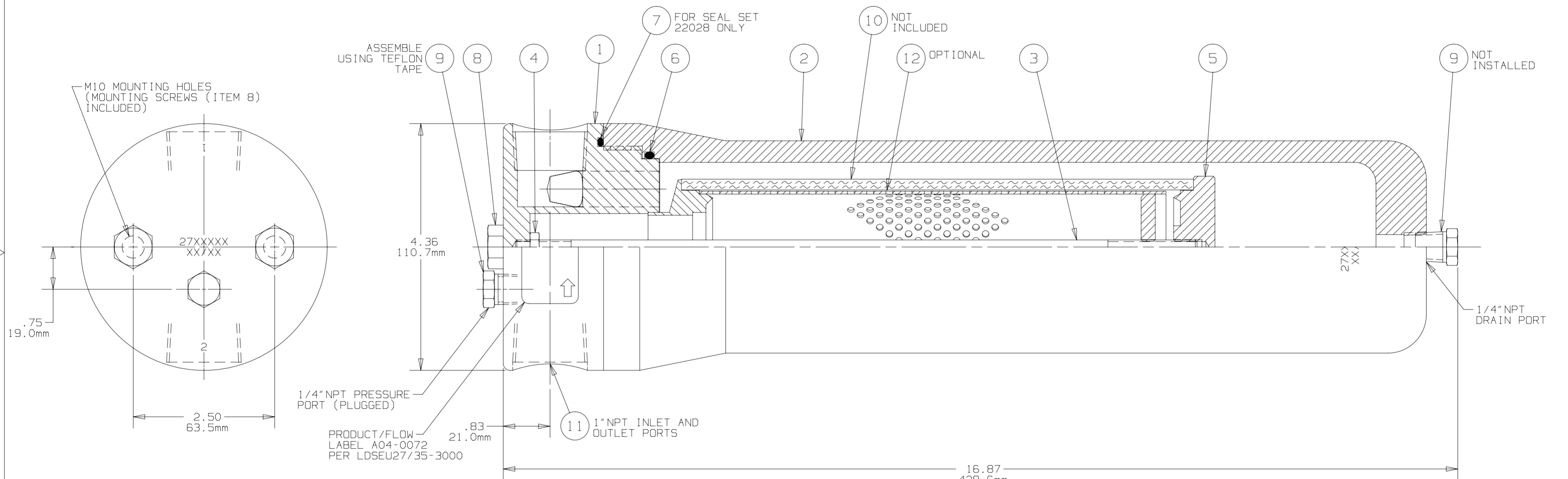
LEGEND

- ⊗ = REPLACEABLE PARTS
- ⊕ = OPTIONAL PARTS
- [] = INDICATE FILTER GRADE (BX OR DX)

-SEE NOTE 4.
-SEE NOTES 2,3 & 4.

-SEE NOTE 5.

REVISIONS				
REV	ECN.NO.	DESCRIPTION	NAME	DATE
-	----	ORIGINATED FOR PRODUCTION	PES	03/02



- NOTES:
- ALL ASSEMBLY AND PACKAGING MUST BE PERFORMED IN ACCORDANCE WITH THE APPROPRIATE MANUFACTURING METHOD SHEET SPECIFIED FOR THIS ASSEMBLY.
 - ITEM 7 (O-RING) MUST BE USED (IN ADDITION TO ITEM 6) IN HOUSINGS USING TEFLON SEALS (SEAL SET P/N 22028).
 - ALL HOUSING USING TEFLON SEAL SET (P/N 22028) MUST BE 100% LEAK TESTED.
 - ALL O-RINGS TO BE LUBRICATED WITH APPROVED LUBRICANT ONLY.
 - SUPPORT CORE (ITEM 12) NOT FOR USE WITH CI CARTRIDGE.
 - MAXIMUM PRESSURE RATING: 3000 psig AT 200°F

SEE NOTE 1.	EU27/35-3000	AS PACKAGED
SEE NOTE 1.	EU27/35-3000-1	AS ASSEMBLED
	PART NO.	DESCRIPTION

REPLACEMENT SEAL SETS				
SEAL SET NUMBER	MAT'L	CONSISTS OF		
		NO	QTY	PART NO.
22028	TEF/VIT	6	1	22028-1
		7	1	22966-1
22027	VITON	6	1	22027-1
22029	SILICONE	6	1	22029-1
22030	EPR	6	1	22030-1

<p>THIRD ANGLE PROJECTION</p> <p>THIS DOCUMENT CONTAINS INFORMATION THAT IS CONFIDENTIAL AND PROPRIETARY TO PARKER FILTRATION AND SEPARATION DIVISION ("PARKER"). THIS DOCUMENT IS FURNISHED ON THE UNDERSTANDING THAT THE DOCUMENT AND THE INFORMATION IT CONTAINS WILL NOT BE COPIED OR DISCLOSED TO OTHERS OR USED FOR ANY PURPOSE OTHER THAN CONDUCTING BUSINESS WITH PARKER, AND WILL BE RETURNED AND ALL FURTHER USE DISCONTINUED UPON REQUEST BY PARKER. COPYRIGHT PARKER, YEAR OF COPYRIGHT IS FIRST YEAR INDICATED ON THIS DOCUMENT. ALL RIGHTS RESERVED.</p>	<p>TOLERANCES EXCEPT AS NOTED</p> <p>.XX ±.015 X.Xmm ±.38mm</p> <p>.XXX ±.005 XX.XXmm ±.13mm</p> <p>ANGULAR ±1°</p> <p>63/ SURFACE ROUGHNESS OR BETTER</p> <p>REMOVE ALL BURRS AND SHARP EDGES.</p>	ENG. APVD.:	DATE:	<p>Parker Hannifin Corporation Filtration and Separation Division Tewksbury, Massachusetts USA</p>
		CH'KD BY:	DATE:	
		DRAWN BY:	DATE:	
		MAT'L:		
SEE PARTS LIST		TITLE: FILTER HOUSING		MODEL NO.: EU27/35-3000
		FINISH: -----		SCALE: .75 : 1 SHEET: 1 OF 1
		P/N: SEE TABLE		DWG. NO.: C-18392