

General Description

Series SE20 is a two stage, 4-way, flapper and nozzle style servovalve. The SE20 has a wide range of flow ratings and a high performance spool and sleeve design.

A special jewel feedback design enhances durability and prevents ball glitch problems, which can occur in other types of servovalves. This valve is rated for 315 Bar (4500 PSI) service with an option for 500 Bar (7250 PSI).

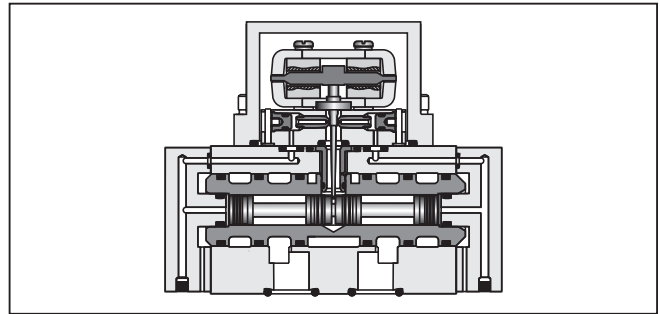
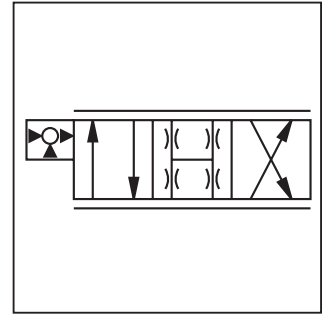


Features

- Lapped spool and sleeve
- Jewel feedback ball for durability
- Aluminum body
- Medium and High performance
- ISO 10372 standard 22.23 mm (0.875 in.) port circle

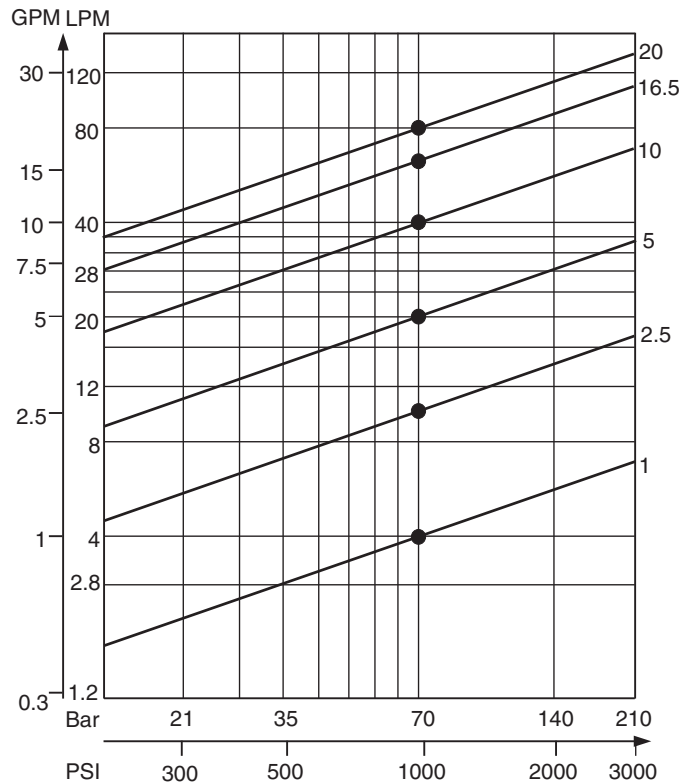
Specifications

Flow Rating ±10% @ 70 Bar (1000 PSI)	3.8, 9.5, 19, 38, 63, 75 LPM (1, 2.5, 5, 10, 16.5, 20 GPM)
Supply Pressure	10 – 315 Bar (145 – 4500 PSI) 500 Bar (7250 PSI) Optional
Tank Port Pressure	210 Bar (3000 PSI) Max. < 10 Bar (145 PSI) for best performance
Null Leakage Flow per 70 Bar (1000 PSI)	1.2 – 1.9 LPM (0.3 – 0.5 GPM)
Pilot Flow @ 210 Bar (3000 PSI)	0.4 – 0.7 LPM (0.1 – 0.2 GPM)
Input Command	±40 mA std.
Frequency Response @ 90° phase shift	> 100 Hz (See Performance Curves)
Non-Linearity	≤ 10%
Hysteresis	≤ 3%
Threshold	≤ 0.5%
Null Shift with temperature with pressure	≤ 2% per 55°C (100°F) ≤ 2% per 70 Bar (1000 PSI)
Pressure Gain change in pressure per 1% change in input command	60% typical
Step Response	See graphs
Fluid	Petroleum based Mineral Oil, 10 – 110 cSt at 38°C (100°F)
Fluid Cleanliness	ISO 4406 15/12 or better
Operating Temperature	-30°C to +130°C (-22°F to +266°F)
Protection Class	NEMA 4, IP65



Flow vs. Pressure Drop

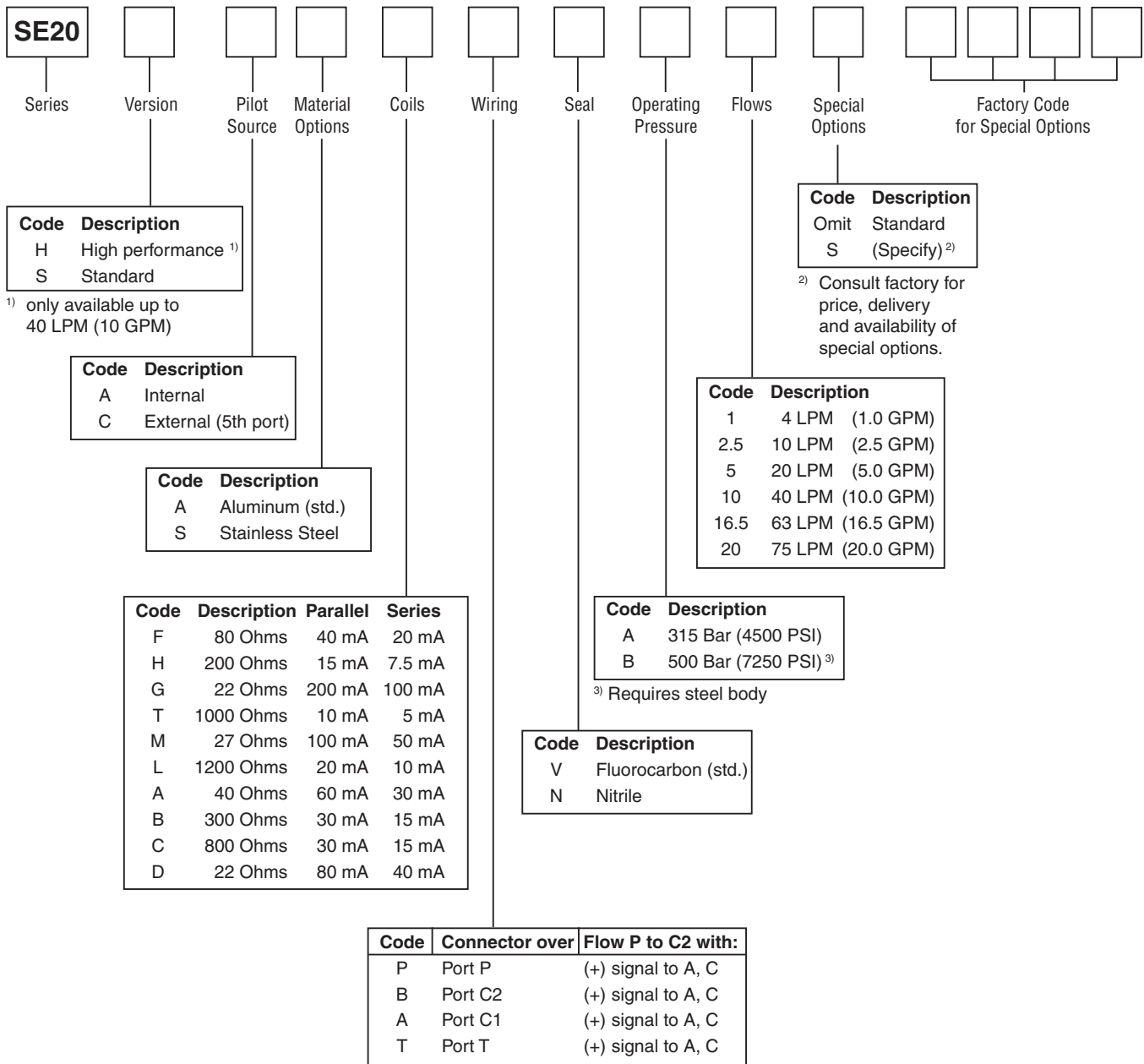
at 100% command
 Flow Path P → C1 → C2 → R



WARNING: This product can expose you to chemicals including Lead, Nickel (Metallic), or 1,3-Butadiene which are known to the State of California to cause cancer, and Lead or 1,3-Butadiene which is known to the State of California to cause birth defects and other reproductive harm. For more information go to www.P65Warnings.ca.gov.

C01_Cat2550.indd, ddp, 04/19

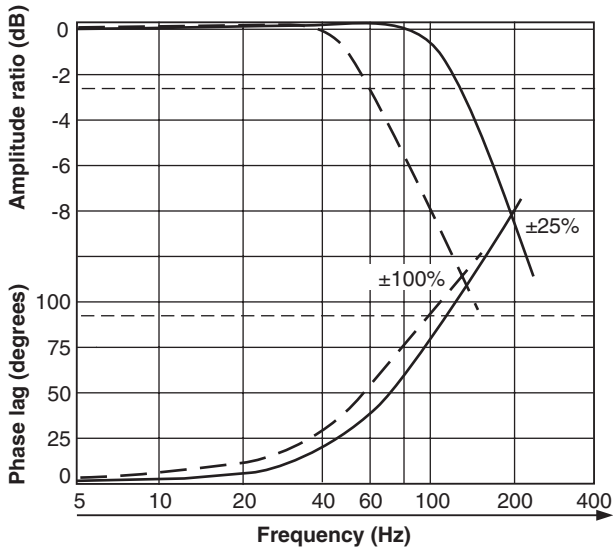




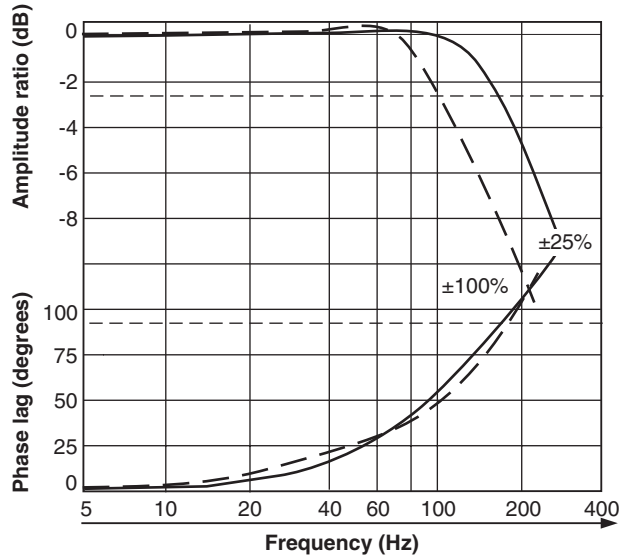
Weight: 1.0 kg (2.2 lbs.)
Cable with mating connector: EHC154S
Bolt kit: 4 of M8 x 60 mm, or 4 of 5/16-18x2.25"
Flushing valve: 1200127 (does not cover 5th port)
U.S. Subplate, 5 ports: 1402303 (4) #12 SAE side ports, (1) #4 SAE side ports
U.S. Subplate, 4 ports: 810090-3 (4) #12 SAE side ports
Metric Subplate, 4 ports: DS04SPS12M (M27 x 2.0 ISO 6149 side ports)
Electronics: BD101, 23-7030, BD90, or BD95

Frequency Response at 210 Bar (3000 PSI)

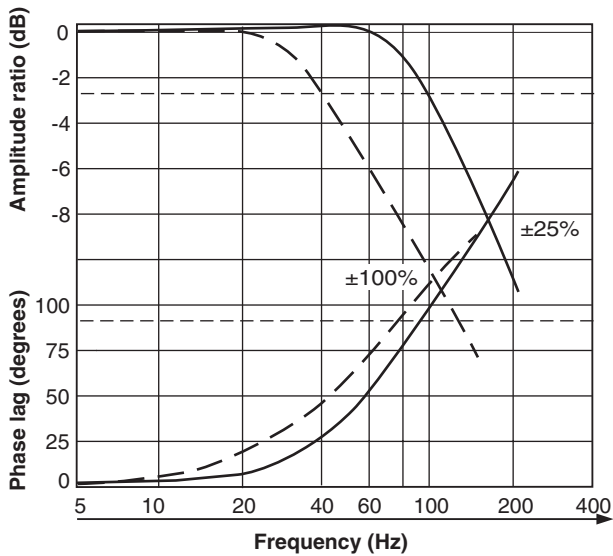
Standard Response
SE20 – 4 LPM (1.0 GPM)



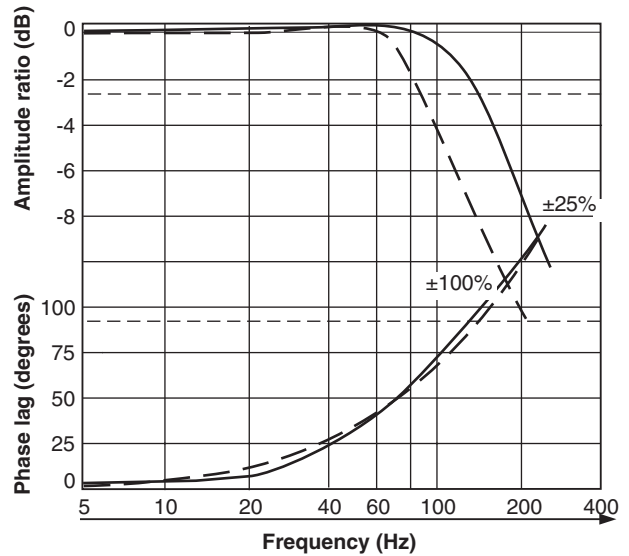
High Response
SE20 – 4 LPM (1.0 GPM)



Standard Response
SE20 – 63 LPM (16.5 GPM)



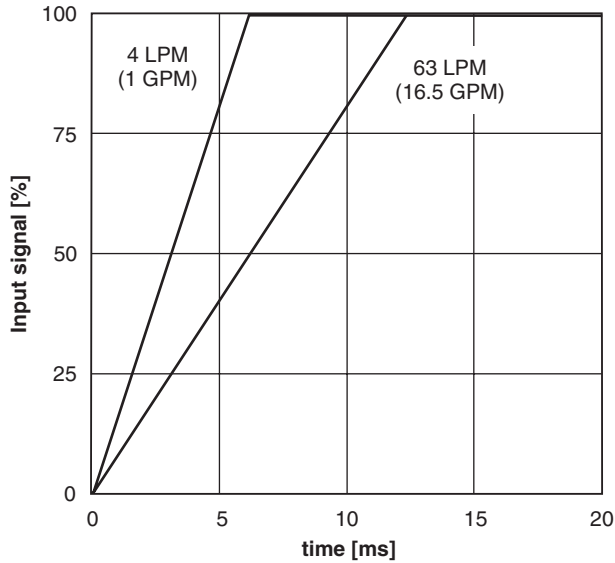
High Response
SE20 – 40 LPM (10 GPM)



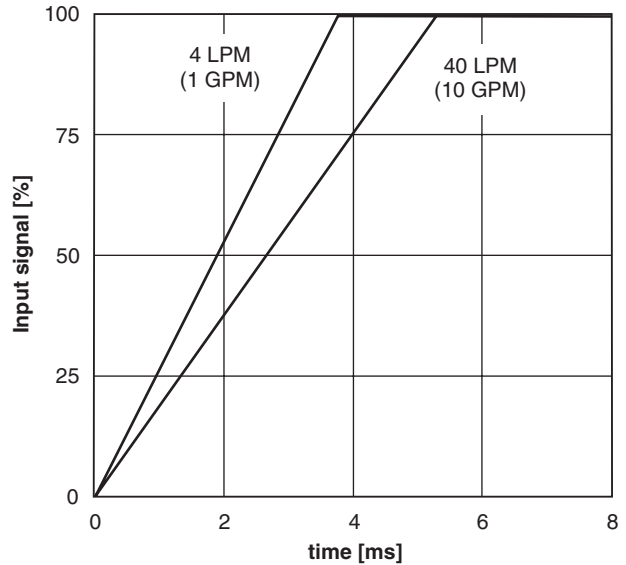
C

Performance Curves

Step Response at 210 Bar (3000 PSI)
Standard Response

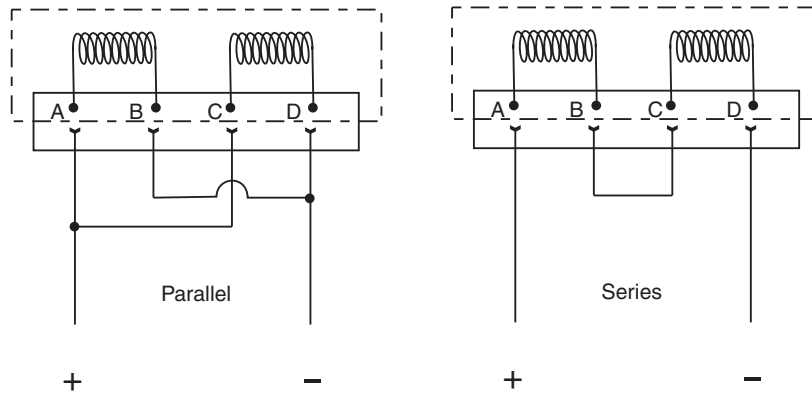


High Response



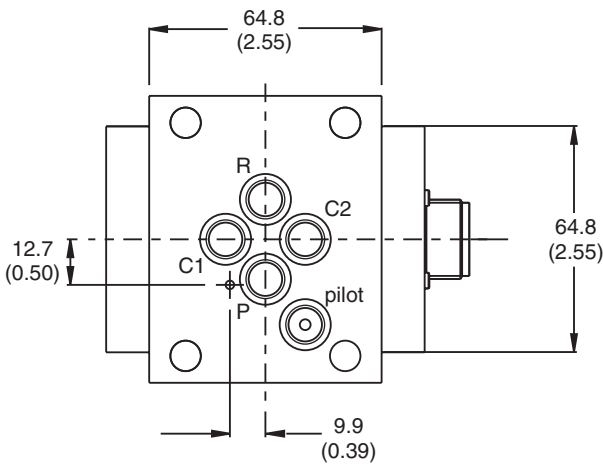
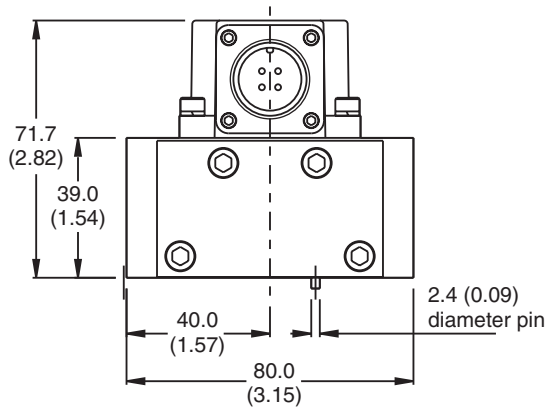
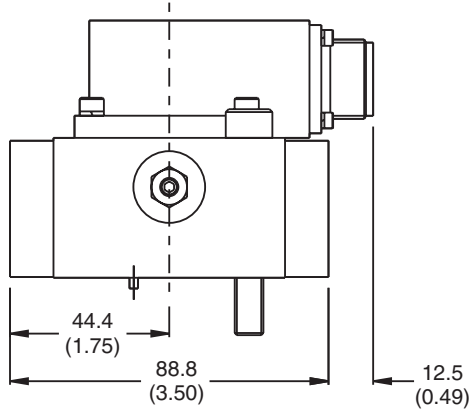
Installation Wiring Options

This servovalve has two coils. When connecting the valve to a drive amplifier, the user's external wiring may put the coils either in parallel or in series as needed. Refer to the illustrations below and to the mounting pattern for this valve to insure proper control phasing.



Polarity shown connects flow from P to C2 port.

Inch equivalents for millimeter dimensions are shown in (**)

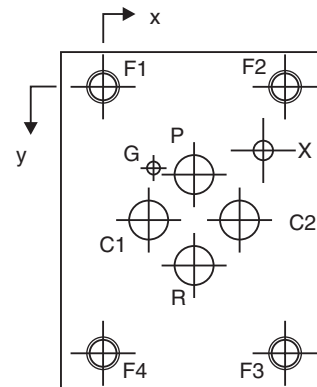


Mounting Torque
29 Nm (21.4 lb.-ft.)

1. Suggested mounting bolts M8 x 60 mm or 5/16-18 x 2.00" high tensile steel, socket-head cap screws.
2. The 4-way electrical connector mates with MS3106-14S-2S or equivalent. It is available at ±90° and 180° to position shown (advise desired position at time of order).
3. Base O-Rings: 10.82 I/D x 1.78 section (2013N-9 or 2013V-9) 5 pcs.
4. Null adjust requires 10 A/F ring spanner (10 mm box-end wrench) and 2.5 hexagon key. Flow out of C1 will increase with clockwise rotation of key.

Mounting Surface

1. The minimum depth of hole G is 2 mm (0.079 in.). The ISO recommended full-thread depth is 22 mm (0.866 in.).
2. Surface roughness Ra < 0.8 µm [N6], as specified in ISO 468 and ISO 1302.
3. Surface flatness: 0.025 mm (0.001 in.) as specified in ISO 1101.



Metric Dimensions (mm)										
(± 0.1 mm)										
Axis	P	C1	R	C2	G	X	F1	F2	F3	F4
	Ø 8.2 max	Ø 8.2 max	Ø 8.2 max	Ø 8.2 max	Ø 3.5	Ø 5	M8	M8	M8	M8
x	22.2	11.1	22.2	33.3	12.3	33.3	0	44.4	44.4	0
y	21.4	32.5	43.6	32.5	19.8	8.7	0	0	65.0	65.0

U.S. Dimensions (inches)										
(± 0.004 in.)										
Axis	P	C1	R	C2	G	X	F1	F2	F3	F4
	Ø 0.32 max.	Ø 0.32 max.	Ø 0.32 max.	Ø 0.32 max.	Ø 0.14 max.	Ø 0.2	5/16 - 18	5/16 - 18	5/16 - 18	5/16 - 18
x	0.875	0.437	0.875	1.311	0.484	1.310	0	1.750	1.750	0
y	0.846	1.280	1.717	1.280	0.780	0.343	0	0	2.562	2.562