

General Description

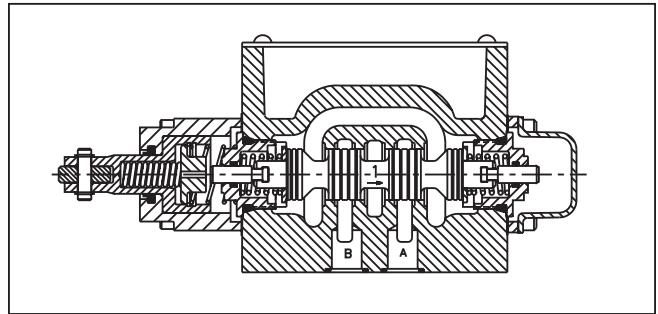
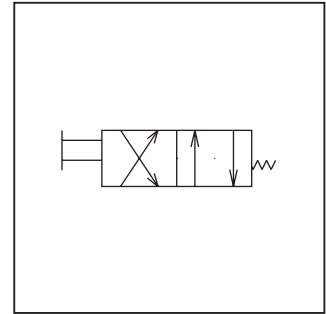
Series D3C and D3D directional control valves are high performance, 4-chamber, direct operated, cam controlled, 3 or 4-way valves. They are available in 2-position and conform to NFPA's D05, CETOP 5 mounting patterns.

Features

- Choice of 2 cam roller positions (D3C and D3D).
- Short stroke option.
- High flow, low pressure drop design.

Specifications

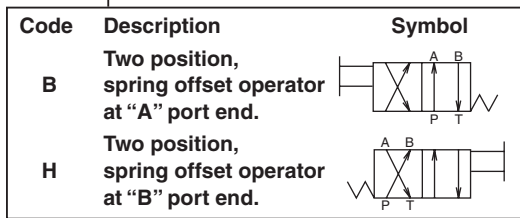
Mounting Pattern	NFPA D05, CETOP 5, NG 10
Maximum Pressure	Operating: 345 Bar (5000 PSI) Tank Line: 34 Bar (500 PSI)
Maximum Flow	See Spool Reference Chart
Force Required to Shift	235 N (53 lbs.)
Maximum Cam Angle	30°



A

Ordering Information

<div style="border: 1px solid black; padding: 2px; width: 30px; margin: 0 auto;">D</div> <p>Directional Control Valve</p>	<div style="border: 1px solid black; padding: 2px; width: 30px; margin: 0 auto;">3</div> <p>Basic Valve</p>	<div style="border: 1px solid black; width: 30px; height: 30px; margin: 0 auto;"></div> <p>Actuator</p>	<div style="border: 1px solid black; width: 30px; height: 30px; margin: 0 auto;"></div> <p>Spool</p>	<div style="border: 1px solid black; width: 30px; height: 30px; margin: 0 auto;"></div> <p>Style</p>	<div style="border: 1px solid black; width: 30px; height: 30px; margin: 0 auto;"></div> <p>Seal</p>	<div style="border: 1px solid black; width: 30px; height: 30px; margin: 0 auto;"></div> <p>Variations</p>	<div style="border: 1px dashed black; width: 30px; height: 30px; margin: 0 auto;"></div> <p>Design Series</p>																										
		<p>NFPA D05 CETOP 5 NG10</p>						<p>NOTE: Not required when ordering.</p>																									
		<table border="1" style="width: 100%; border-collapse: collapse;"> <thead> <tr> <th>Code</th> <th>Description</th> </tr> </thead> <tbody> <tr> <td>C</td> <td>Cam (90° to mounting surface)</td> </tr> <tr> <td>D</td> <td>Cam parallel to mounting surface</td> </tr> </tbody> </table>		Code	Description	C	Cam (90° to mounting surface)	D	Cam parallel to mounting surface			<table border="1" style="width: 100%; border-collapse: collapse;"> <thead> <tr> <th>Code</th> <th>Description</th> <th>Material</th> </tr> </thead> <tbody> <tr> <td>N</td> <td>Nitrile</td> <td></td> </tr> <tr> <td>V</td> <td>Fluorocarbon</td> <td></td> </tr> </tbody> </table>		Code	Description	Material	N	Nitrile		V	Fluorocarbon		<table border="1" style="width: 100%; border-collapse: collapse;"> <thead> <tr> <th>Code</th> <th>Description</th> <th>Material</th> </tr> </thead> <tbody> <tr> <td>Omit</td> <td>Standard</td> <td></td> </tr> <tr> <td>B5</td> <td>Short Stroke</td> <td></td> </tr> </tbody> </table>		Code	Description	Material	Omit	Standard		B5	Short Stroke	
Code	Description																																
C	Cam (90° to mounting surface)																																
D	Cam parallel to mounting surface																																
Code	Description	Material																															
N	Nitrile																																
V	Fluorocarbon																																
Code	Description	Material																															
Omit	Standard																																
B5	Short Stroke																																
		<table border="1" style="width: 100%; border-collapse: collapse;"> <thead> <tr> <th>Code</th> <th>Symbol</th> </tr> </thead> <tbody> <tr> <td>20*</td> <td></td> </tr> <tr> <td>30†</td> <td></td> </tr> </tbody> </table>		Code	Symbol	20*		30†		<table border="1" style="width: 100%; border-collapse: collapse;"> <thead> <tr> <th>Code</th> <th>Description</th> <th>Symbol</th> </tr> </thead> <tbody> <tr> <td>B</td> <td>Two position, spring offset operator at "A" port end.</td> <td></td> </tr> <tr> <td>H</td> <td>Two position, spring offset operator at "B" port end.</td> <td></td> </tr> </tbody> </table>		Code	Description	Symbol	B	Two position, spring offset operator at "A" port end.		H	Two position, spring offset operator at "B" port end.														
Code	Symbol																																
20*																																	
30†																																	
Code	Description	Symbol																															
B	Two position, spring offset operator at "A" port end.																																
H	Two position, spring offset operator at "B" port end.																																
		<p>* 20 spool has closed crossover. † 30 spool has open crossover.</p>																															
								<p>Valve Weight: 3.6 kg (8 lbs.)</p> <p>Seal Kit: Nitrile SKD3C Fluorocarbon SKD3CV</p>																									



Bold: Designates Tier I products and options.

Non-Bold: Designates Tier II products and options. These products will have longer lead times.

Mounting Bolt Kits

A

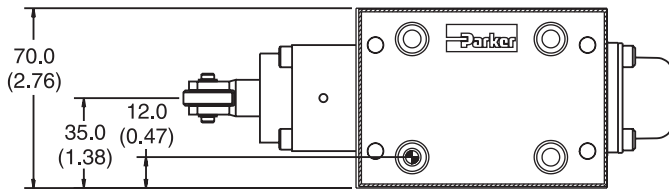
UNC Bolt Kits for use with D3C & D3D Directional Control Valves & Sandwich Valves					
		Number of Sandwich Valves @ 2.00" (50mm) thickness			
		0	1	2	3
D3C, D3D	Standard:	BK98 1.62"	BK141 3.50"	BK142 5.50"	BK143 7.50"
	Metric:	BKM98 40mm	BKM141 90mm	BKM142 140mm	BKM143 190mm

NOTE: All bolts are SAE grade 8, 1/4-20 UNC-2A thread, torque to 16 Nm (12 ft-lbs)

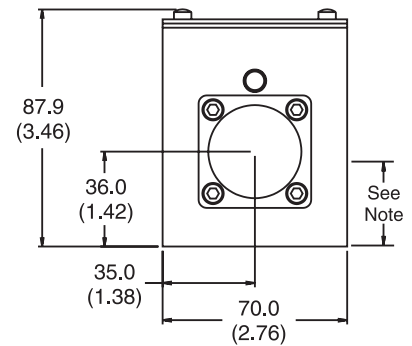
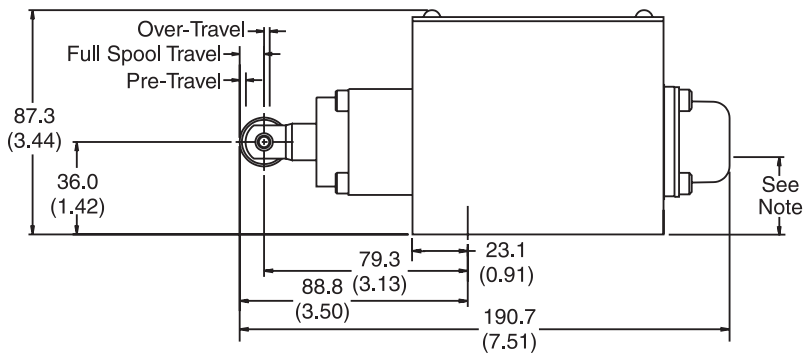
Dimensions

Inch equivalents for millimeter dimensions are shown in (**)

Cam Operated



Valve Type	Pre-Travel	Full Spool Travel	Over-Travel
Standard Valve	1.75 (0.07)	5.75 (0.23)	2.03 (0.08)
B5 Short Stroke	0 (0)	4.00 (0.16)	2.03 (0.08)



Note: 30.0mm (1.18") from bottom of bolt hole counterbore to bottom of valve.

