

AVR4 Series

Electrically Heated, Vaporizing Pressure Regulator

Pressure Reducing • Stainless Steel



Value Proposition:

The Parker AVR4 Series regulator is engineered to heat and/or vaporize a gas or liquid sample before entering an analyzer system. Its unique design allows users to disassemble the regulator and heat transfer components for complete cleaning and repair of the unit, thus reducing expensive replacement costs and downtime.

Product Features:

- Ultra low internal volume
- CSA, CE-ATEX certified
- Convoluted Hastelloy® C-22 diaphragm for superior strength and corrosion resistance provides outlet pressure stability with changes in flow
- Field-serviceable heat transfer element
- TCO (Thermal cut-out) is standard for all heat ranges
- Integral diaphragm stop provides additional measure of safety valves / 250 psig for manual and AOPLPNC valves

Specifications:

Functional Performance	
Design	
Burst Pressure	10,500 psig (724 barg)
Proof Pressure	5,250 psig (362 barg)
Flow Capacity	C _v 0.06 Nominal
Leak Rate: Internal	Bubble Tight
Leak Rate: External	Bubble Tight
Internal Volume	3.29 cc
High Pressure Inlet	0.57 cc
Overall	4.6 cc
Approximate Weight	8 lbs. (2.0 kg)

Electrical Conditions	
Power Requirements	120V or 240V, 50/60 Hz
Heater Wattage	40,100,150 or 200 watt
Temperature Controller (Proportional)	75°F to 220°F or 215°F to 380°F (24°C to 105°C or 102°C to 194°C) Ranges are Approximate
Condulet	Crouse Hinds, UL and CSA listed Class 1, Groups A, B, C, D Class 2, Groups E, F, G

For additional information on materials of construction, functional performance and operating conditions, please contact factory.

Hastelloy® C-22 and Hastelloy® C-276 are registered trademarks of Haynes International, Inc. PEEK™ is a trademark of Victrex plc. Inconel® and Monel® are registered trademarks of Special Metals Corporation. Vespel® is a registered trademark of DuPont Performance Elastomers L.L.C. SilcoNert™ 1000 is a trademark of SilcoTek Corporation.

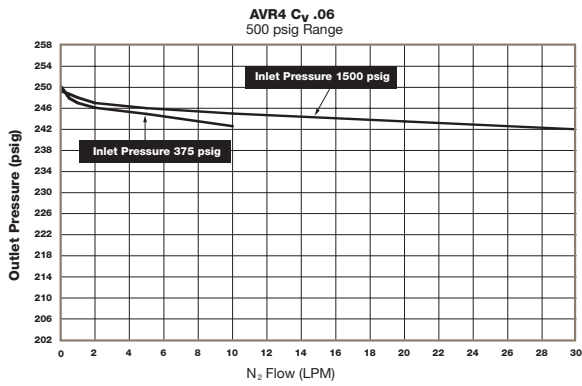
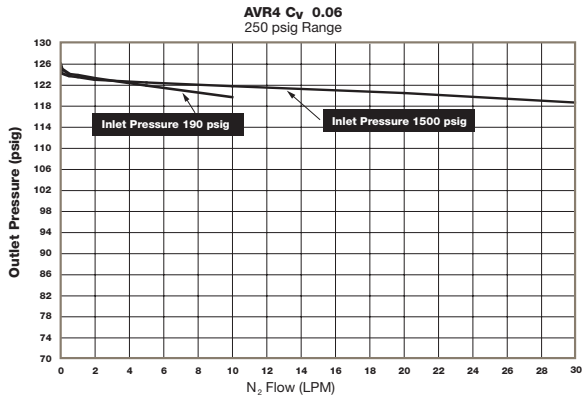
Operating Conditions	
Operating Pressure	3,500 psig (241 barg) or 250 psig (17.2 barg) for 10 psig range
Outlet Options	0-10 psig (0.7 barg), 1-30 psig (2 barg) 2-60 psig (4 barg), 3-100 psig (7 barg) 10-250 psig (17 barg), 20-500 psig (35 barg)
Temperature	Based upon seat option
PCTFE	150°F (66°C)
PEEK™	275°F (135°C)
Vespel®	500°F (260°C)
Ambient Temperature	-4°F to 104°F (-20°C to 40°C)

Material of Construction	
Wetted	
Body Options	316L Stainless Steel (std) (Consult factory for alloyed body material availability)
Compression Member	Inconel® 625
Diaphragm	Hastelloy® C-22
Poppet	Hastelloy® C-22
Poppet Spring	Inconel® X750
Seat Options	PCTFE (std), PEEK™ or Vespel®
Carrier Options	316L Stainless Steel (std) or Hastelloy® C-22
Heater Seal	PEEK™
O-ring Backup	FKM
Non-Wetted	
Nut	303 Stainless Steel
Cap	17-4 PH
Condulet	Cast iron Alloy and Aluminum

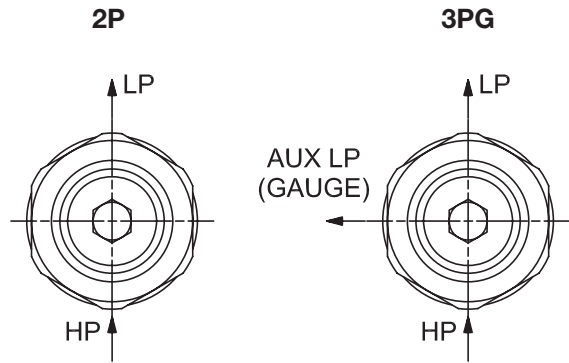


AVR4 Series

Flow Curve:



Porting Configurations:



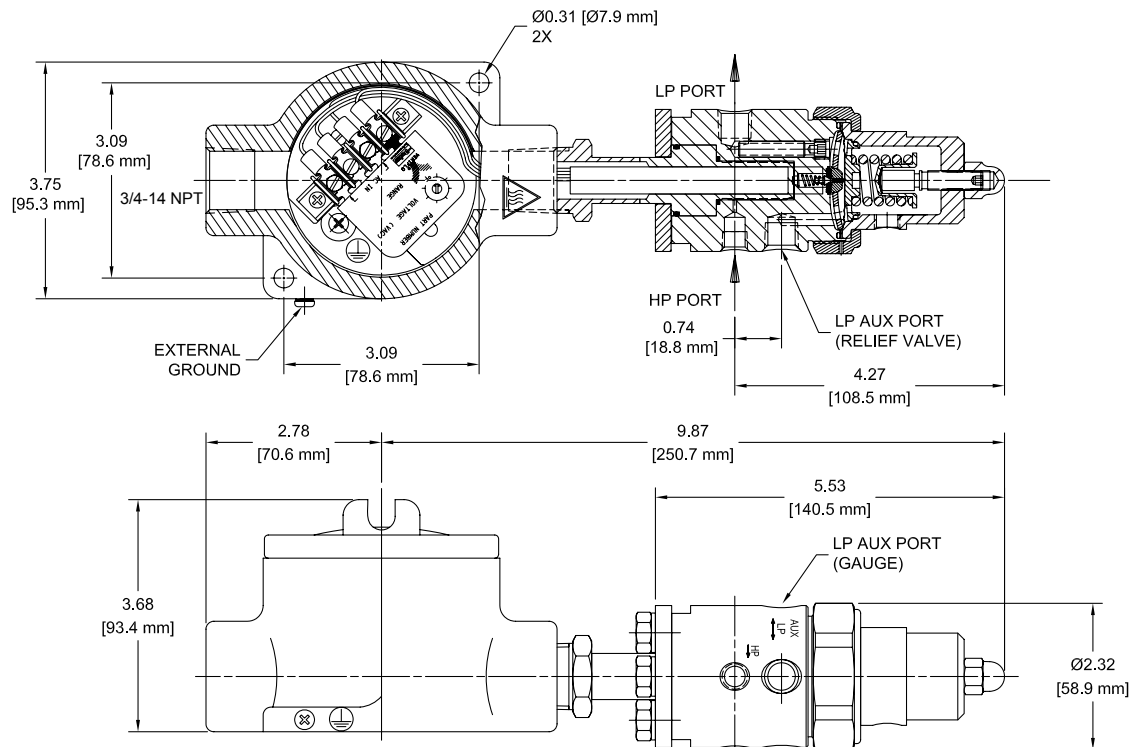
ATEX Related Drawing:

Revision Control Per 54099313

Reference: ATEX Schedule Drawing 54013150

Reference: CSA File # LR99181

Dimensional Drawing:



AVR4 Series

Ordering Information:

Building a Part Number: *Example: AVR4SK1120DLX3PG*

Example Part Number:	AVR4	S	K	1	120	D	L	X	3PG	
Ordering Parameters/Options:	Series	Body Material	Seat Material	Pressure Range	Voltage	Heater Wattage	Temperature Controller	Outlet Gauge	Porting Configuration	Optional Features
Table Reference: (see below)	A	B	C	D	E	F	G	H	I	J

A - Series

AVR4	AVR4 Series Pressure Regulator
------	--------------------------------

B - Body Material

S	316L Stainless Steel
---	----------------------

C - Seat Material

K	PCTFE
P	PEEK™
V	Vespe®

D - Pressure Range

0	0-10 psig (Maximum inlet 250 psig)
1	1-30 psig
2	2-60 psig
3	3-100 psig
4	10-250 psig
5	20-500 psig

E - Voltage

120	120V
240	240V

F - Heater Wattage

D	150
E	200

G - Temperature Controller

L	75°F to 200°F (24°C to 104°C)
H	200°F to 380°F (104°C to 193°C) - (Only available in 120V)

H - Outlet Gauge

03	0-30 psig
OL	0-60 psig
01	0-100 psig
4	0-400 psig
6	0-600 psig
X	No Gauge

I - Porting Configuration



Blank	2 Port
3PG	3 Port High pressure port standard is 1/8" NPT Female. 1/4" NPT Female on auxiliary outlet ports.

J - Optional Features

RTK	SilcoNert™ 1000 Coating in wetted metallic components only. Does not include gauges or relief valves
-----	--

Parker Instrumentation Products Division reserves the right to plug NPT ports

Product Certifications

North American Certification	 CLASS I GROUPS A, B, C & D LR99181
European Union Certification	 0344 ExdbII C T3 KEMA 03ATEX2359

Parker Worldwide

North America

USA – Corporate, Cleveland, OH
Tel: +1 256 896 3000

USA – IPD, Huntsville, AL
Tel: +1 256 881 2040
ipdcct@parker.com

USA – IPD, (Autoclave), Erie, PA
Tel: +1 814 860 5700
ipdaect@parker.com

CA – Canada, Grimsby, Ontario
Tel: +1 905-945-2274
ipd_canada@parker.com

South America

AR – Argentina, Buenos Aires
Tel: +54 3327 44 4129
falecom@parker.com

BR – Brazil, Diadema, SP
Tel: +55 11 4360 6700
falecom@parker.com

CL – Chile, Santiago
Tel: +56 (0) 2 2303 9640
falecom@parker.com

MX – Mexico, Toluca
Tel: +52 722 275 4200
contacto@parker.com

Asia Pacific

AU – Australia, Dandenong
Tel: +61 (0)2 9842 5150
customer.service.au@parker.com

CN – China, Shanghai
Tel: +86 21 2899 5000
INGtechnical.china@parker.com

HK – Hong Kong
Tel: +852 2428 8008

IN – India, Mumbai
Tel: +91 22 6513 7081-85

ID – Indonesia, Tangerang
Tel: +62 2977 7900
parker.id@parker.com

JP – Japan, Tokyo
Tel: +(81) 3 6365 4020
infophj@parker.com

KR – South Korea, Seoul
Tel: +82 2 559 0400
parkerkr@parker.com

MY – Malaysia, Selangor
Tel: +603 784 90 800
parkermy@parker.com

SG – Singapore,
Tel: +65 6887 6300
parkerkg@parker.com

TH – Thailand, Bangkok
Tel: +66 2 186 7000
phthailand@parker.com

TW – Taiwan, Taipei
Tel: +886 2 2298 8987
enquiry.taiwan@parker.com

VN – Vietnam, Hochi Minh City
Tel: +848 382 508 56
parker_viet@parker.com

Europe, Middle East, Africa

AE – UAE, Dubai
Tel: +971 4 812 7100
parker.me@parker.com

AT – Austria, Wiener Neustadt
Tel: +43 (0)2622 23501-0
parker.austria@parker.com

AT – Eastern Europe, Wiener Neustadt
Tel: +43 (0)2622 23501 900
parker.easteurope@parker.com

AZ – Azerbaijan, Baku
Tel: +994 50 2233 458
parker.azerbaijan@parker.com

BE/LU – Belgium, Nivelles
Tel: +32 (0)67 280 900
parker.belgium@parker.com

BG – Bulgaria, Sofia
Tel: +359 2 980 1344
parker.bulgaria@parker.com

BY – Belarus, Minsk
Tel: +48 (0)22 573 24 00
parker.belarus@parker.com

CH – Switzerland, Etoy
Tel: +41 (0) 21 821 87 00
parker.switzerland@parker.com

CZ – Czech Republic, Klecany
Tel: +420 284 083 111
parker.czechrepublic@parker.com

DE – Germany, Kaarst
Tel: +49 (0)2131 4016 0
parker.germany@parker.com

DK – Denmark, Ballerup
Tel: +45 43 56 04 00
parker.denmark@parker.com

ES – Spain, Madrid
Tel: +34 902 33 00 01
parker.spain@parker.com

FI – Finland, Vantaa
Tel: +358 (0)20 753 2500
parker.finland@parker.com

FR – France, Contamine s/Arve
Tel: +33 (0)4 50 25 80 25
parker.france@parker.com

GR – Greece, Athens
Tel: +30 210 933 6450
parker.greece@parker.com

HU – Hungary, Budapest
Tel: +36 223 885 470
parker.hungary@parker.com

IE – Ireland, Dublin
Tel: +353 (0)1 466 6370
parker.ireland@parker.com

IT – Italy, Corsico (MI)
Tel: +39 02 45 19 21
parker.italy@parker.com

KZ – Kazakhstan, Almaty
Tel: +7 7273 561 000
parker.easteurope@parker.com

NL – The Netherlands, Oldenzaal
Tel: +31 (0)541 585 000
parker.nl@parker.com

NO – Norway, Stavanger
Tel: +47 66 75 34 00
parker.norway@parker.com

PL – Poland, Warsaw
Tel: +48 (0)22 573 24 00
parker.poland@parker.com

PT – Portugal, Leca da Palmeira
Tel: +351 22 999 7360
parker.portugal@parker.com

RO – Romania, Bucharest
Tel: +40 21 252 1382
parker.romania@parker.com

RU – Russia, Moscow
Tel: +7 495 645-2156
parker.russia@parker.com

SE – Sweden, Spånga
Tel: +46 (0)8 59 79 50 00
parker.sweden@parker.com

SK – Slovakia, Banská Bystrica
Tel: +421 484 162 252
parker.slovakia@parker.com

SL – Slovenia, Novo Mesto
Tel: +386 7 337 6650
parker.slovenia@parker.com

TR – Turkey, Istanbul
Tel: +90 216 4997081
parker.turkey@parker.com

UA – Ukraine, Kiev
Tel: +48 (0)22 573 24 00
parker.ukraine@parker.com

UK – United Kingdom, Warwick
Tel: +44 (0)1926 317 878
parker.uk@parker.com

ZA – South Africa, Kempton Park
Tel: +27 (0)11 961 0700
parker.southafrica@parker.com

WARNING

FAILURE, IMPROPER SELECTION OR IMPROPER USE OF THE PRODUCTS AND/OR SYSTEMS DESCRIBED HEREIN OR RELATED ITEMS CAN CAUSE DEATH, PERSONAL INJURY AND PROPERTY DAMAGE.

This document and other information from Parker Hannifin Corporation, its subsidiaries and authorized distributors provide product and/or system options for further investigation by users having technical expertise. It is important that you analyze all aspects of your application and review the information concerning the product or system in the current product catalog. Due to the variety of operating conditions and applications for these products or systems, the user, through its own analysis and testing, is solely responsible for making the final selection of the products and systems and assuring that all performance, safety and warning requirements of the application are met. The products described herein, including without limitation, product features, specifications, designs, availability and pricing, are subject to change by Parker Hannifin Corporation and its subsidiaries at any time without notice. Proposition 65 Warning: This product contains chemicals known to the state of California to cause cancer or birth defects or other reproductive harm.

Offer of Sale

The items described in this document are available for sale by Parker Hannifin Corporation, its subsidiaries or its authorized distributors. Any sale contract entered by Parker will be governed by the provisions stated in Parker's standard terms and conditions of sale (copy available upon request).

©2017 Parker Hannifin Corporation | Instrumentation Products Division

Literature #: 25000137 Nov 2017



Instrumentation Products Division
1005 A Cleaner Way
Huntsville, AL 35805 • USA
Tel: 256 881 2040
Fax: 256 881 5072

ipd.sales@parker.com
www.parker.com/ipd
Mobile Application: m.parker.com/ipd

AVR4 SERIES: Electrically Heated, Vaporizing Pressure Regulator



ENGINEERING YOUR SUCCESS.