

# PR-1 Pressure Regulator

## Product Overview

The 1/4" Pressure Regulators are designed for use in high purity semiconductor applications, and are also ideally suited for ultra-pure water and aggressive chemicals. The design utilizes a machined PFA body with precision machined seat.

## Features

One piece precision machined diaphragms manufactured from the latest technology modified PTFE.

Provides over five times the flexural life as compared to conventional PTFE.

Non-relieving design- requires a 10 psi differential across the valve.

Tongue and groove diaphragm.

## Benefits

High cycle life.

Lower replacement costs.

Less downtime.

Stabilizes system pressure. Ideal for use in DI water systems.

Low hysteresis.

Seal provides protection for springs and adjusting screw.



## Specifications

Materials of Construction:

Wetted Surfaces - PFA, Modified PTFE

Non Wetted Surfaces - ABS, Brass, SS, PVDF, SS Spring, Chrome Vanadium Die Spring, HDPE.

Pressure Ranges:

Max Primary Pressure - 120 PSIG (8.3 bar)

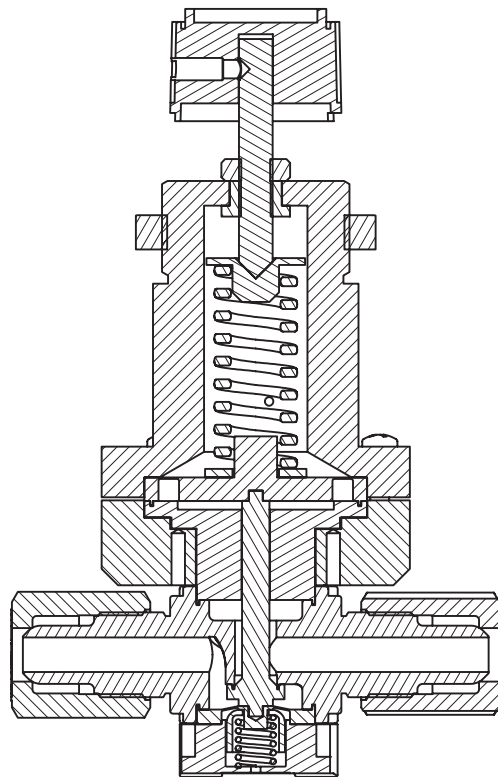
Secondary Pressure Options - 0 to 30 PSIG and 0 to 60 PSIG

Pressure ranges above are for operation at ambient temperature. For use at higher temperatures consult Pressure/Temperature chart on page 3.

Temperature Ranges:

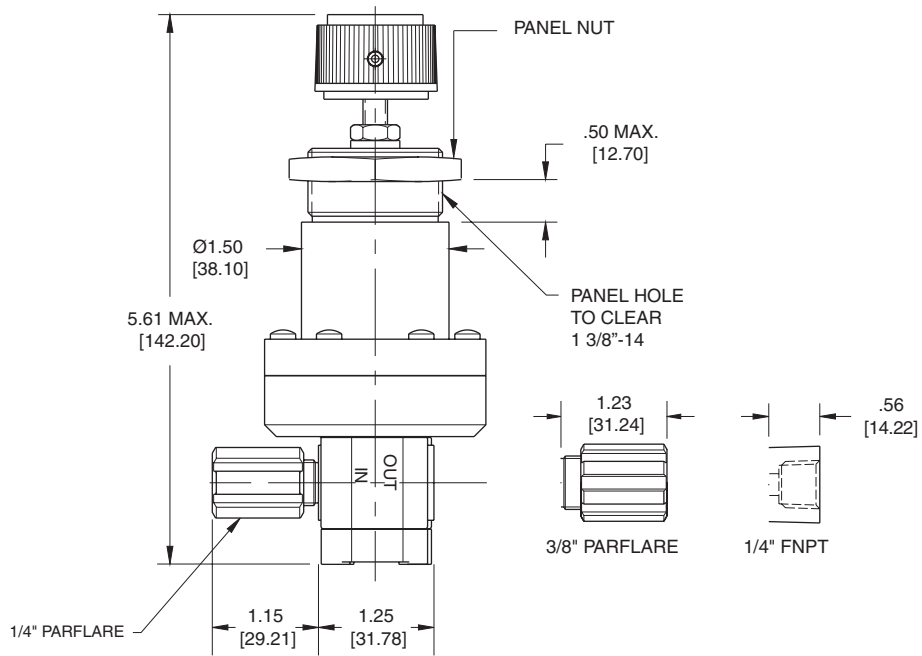
0°F - 150°F (-17°C - 66°C) Ambient

0°F - 266°F (-17°C - 130°C) Fluid



# PR-1 Pressure Regulator

BRACKETED DIMENSIONS  
ARE IN mm.



Model Number	Trim Material	Port Configuration	Secondary Pressure-X
PR-1-2214-X	HDPE	1/4" FNPT	1 = 0 to 30 PSIG 2 = 0 to 60 PSIG
PR-1-2264-X		1/4" Parflare	
PR-1-2266-X		3/8" Parflare	