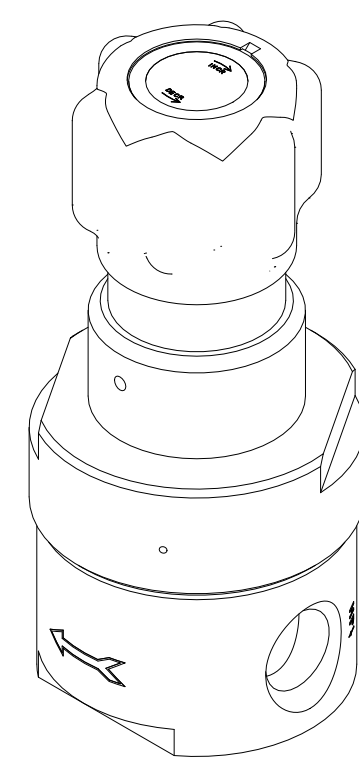
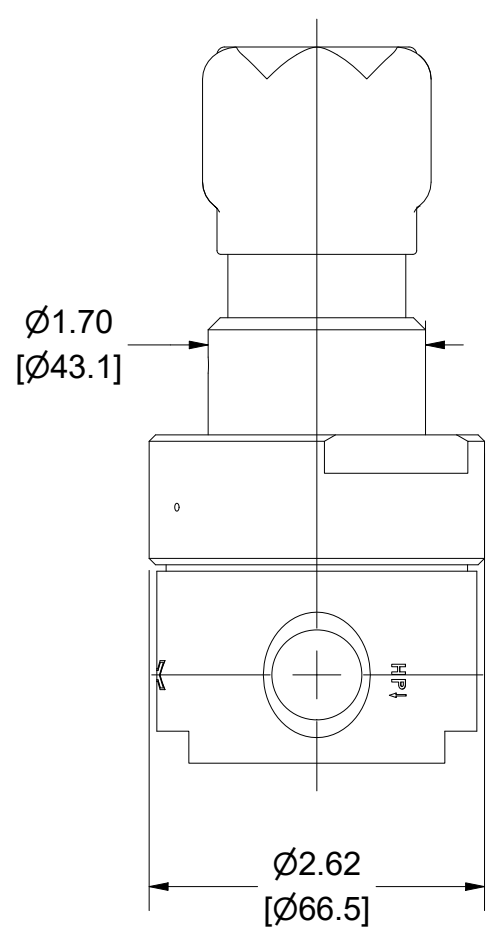
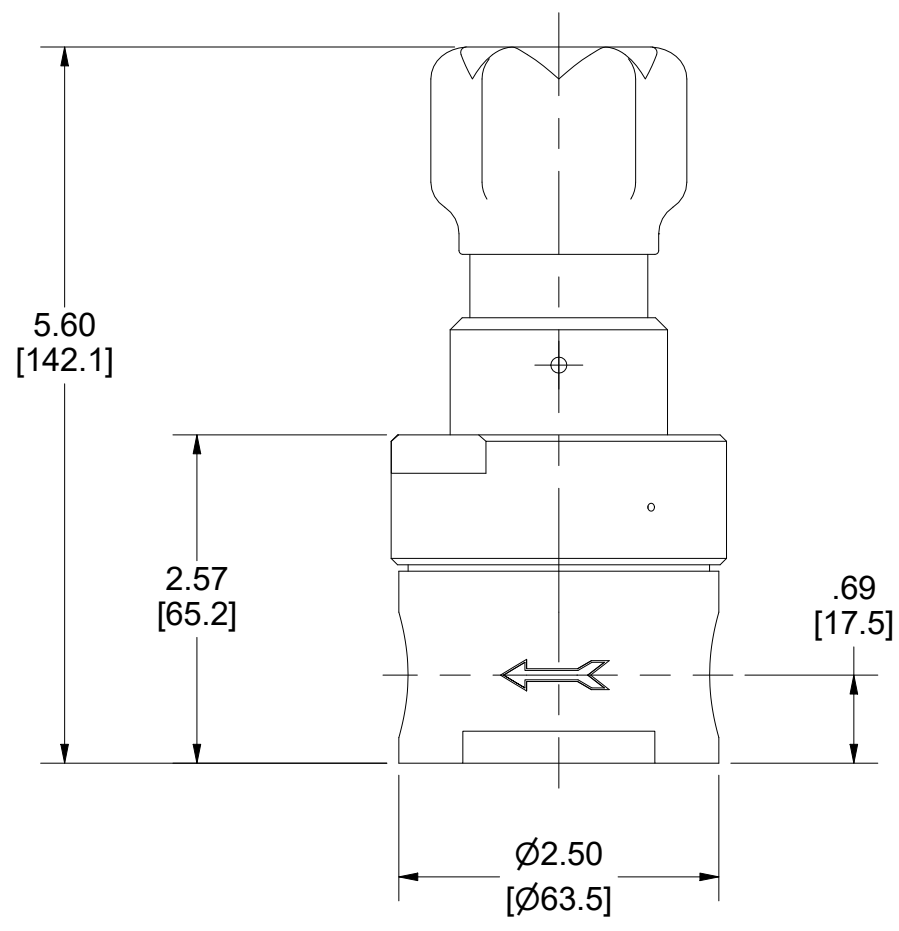
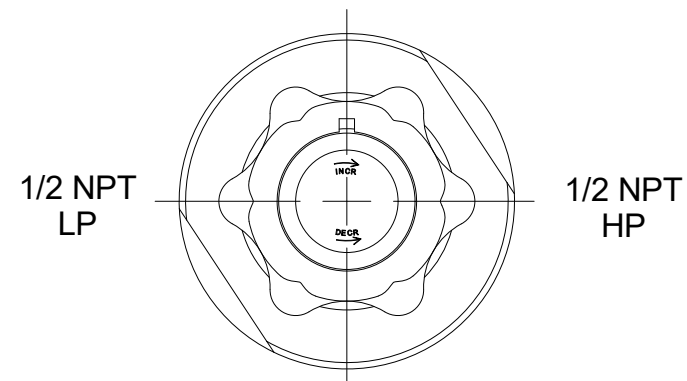


REV	DESCRIPTION	BY	DATE
-	ECO-0396982	AM	4/15/2022

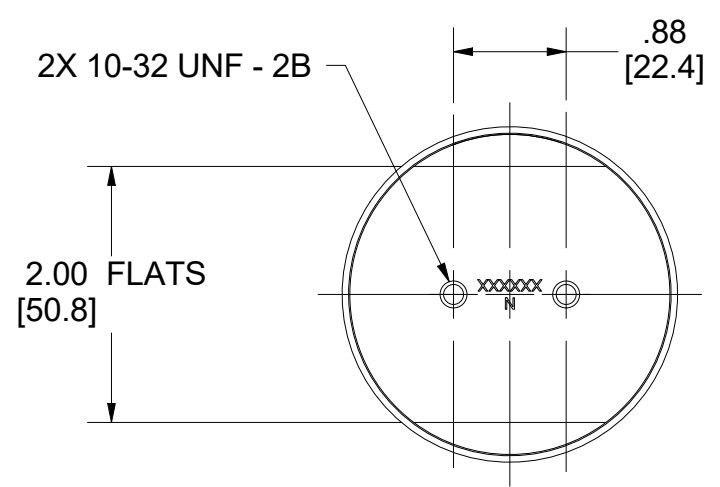


FRN12 () () S12 () 2P8

SEAT MATERIAL:
K = PCTFE
V = POLYIMIDE

SOURCE PRESSURE RANGE:
H = 0 - 1700 PSIG
L = 0 - 300 PSIG

BASIC SERIES:
03 = 1 - 30 PSIG
06 = 5 - 60 PSIG
10 = 10 - 100 PSIG
15 = 15 - 150 PSIG



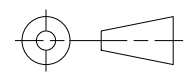
NOTES:

SEE FRN1200 SERIES LITERATURE, 25000328, FOR ALL MATERIALS OF CONSTRUCTION, OPERATING CONDITIONS AND PERFORMANCE RATINGS.



DIMENSIONS ARE REF INCH [MM]
DRAWING IS SUBJECT TO
CHANGE WITHOUT NOTICE.

SOME CONFIGURATIONS MAY
NOT BE OFFERED. CONTACT
FACTORY FOR AVAILABILITY.



THIS DOCUMENT CONTAINS INFORMATION THAT IS CONFIDENTIAL AND PROPRIETARY TO VERIFLO DIVISION OF PARKER HANNIFIN ("PARKER"). THIS DOCUMENT IS FURNISHED ON THE UNDERSTANDING THAT THE DOCUMENT AND THE INFORMATION IT CONTAINS WILL NOT BE COPIED OR DISCLOSED TO OTHERS EXCEPT WITH THE WRITTEN CONSENT OF PARKER. WILL NOT BE USED FOR ANY PURPOSE OTHER THAN CONDUCTING BUSINESS WITH PARKER, AND WILL BE RETURNED AND ALL FURTHER USE DISCONTINUED UPON REQUEST BY PARKER.
COPYRIGHT PARKER. YEAR OF COPYRIGHT IS FIRST YEAR INDICATED ON THIS DOCUMENT. ALL RIGHTS RESERVED.

This document and other information from Parker-Hannifin Corporation, its subsidiaries and authorized distributors provide product or system options for further investigation by users having technical expertise. The user, through its own analysis and testing, is solely responsible for making the final selection of the system and components and assuring that all performance, endurance, maintenance, safety and warning requirements of the application are met. The user must analyze all aspects of the application, follow applicable industry standards, and follow the information concerning the product in the current product catalog and in any other materials provided from Parker or its subsidiaries or authorized distributors. To the extent that Parker or its subsidiaries or authorized distributors provide component or system options based upon data or specifications provided by the user, the user is responsible for determining that such data and specifications are suitable and sufficient for all applications and reasonably foreseeable uses of the components or systems.

SALES DRAWING

DESCRIPTION	
FRN12() () S12() 2P8	
DRAWING NUMBER	REV.
SD100215	-
DRAWING NOT TO SCALE	SHEET 1 OF 1