

Technical Information

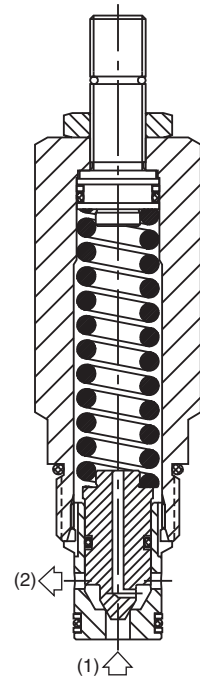
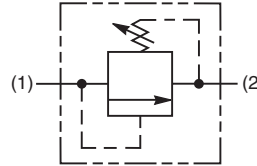
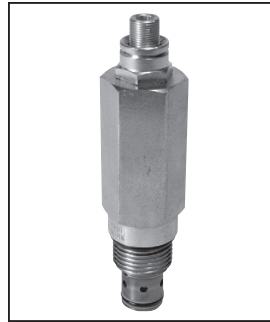
- CV** Check Valves
- SH** Shuttle Valves
- LM** Load/Motor Controls
- FC** Flow Controls
- PC** Pressure Controls
- LE** Logic Elements
- DC** Directional Controls
- MV** Manual Valves
- SV** Solenoid Valves
- PV** Proportional Valves
- CE** Coils & Electronics
- BC** Bodies & Cavities
- TD** Technical Data

General Description

Direct Acting Poppet-Type Relief Valve. For additional information see Technical Tips on pages PC1-PC6.

Features

- Fast response with good stability
- Virtually leak-free
- Hardened working parts for maximum durability
- Adjustable, preset and tamperproof versions available
- Preset version is tamperproof and compact
- All external parts zinc plated



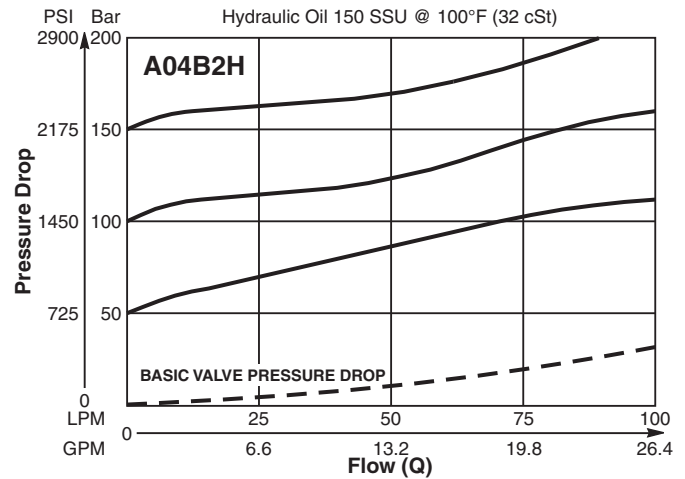
Specifications

Rated Flow	100 LPM (26 GPM)
Maximum Inlet Pressure	H - 5-210 Bar (72-3000 PSI) P - 5-420 Bar (72-6000 PSI)
Maximum Pressure Setting	420 Bar (6000 PSI)
Sensitivity: Pressure/Turn	H 21 Bar (305 PSI) P 43.4 Bar (630 PSI)
Maximum Tank Pressure	420 Bar (6000 PSI)
Leakage at 150 SSU (32 cSt)	5 drops/min. @ 100 Bar (1450 PSI)
Cartridge Material	All parts steel. All operating parts hardened steel.
Operating Temp. Range/Seals	-34°C to +121°C (Nitrile) (-30°F to +250°F) -26°C to +204°C (Fluorocarbon) (-15°F to +400°F)
Fluid Compatibility/Viscosity	Mineral-based or synthetic with lubricating properties at viscosities of 45 to 2000 SSU (6 to 420 cSt)
Filtration	ISO-4406 18/16/13, SAE Class 4
Approx. Weight	0.28 kg (0.62 lbs.)
Cavity	C10-2 (See BC Section for more details)
Form Tool	Rougher None Finisher NFT10-2F

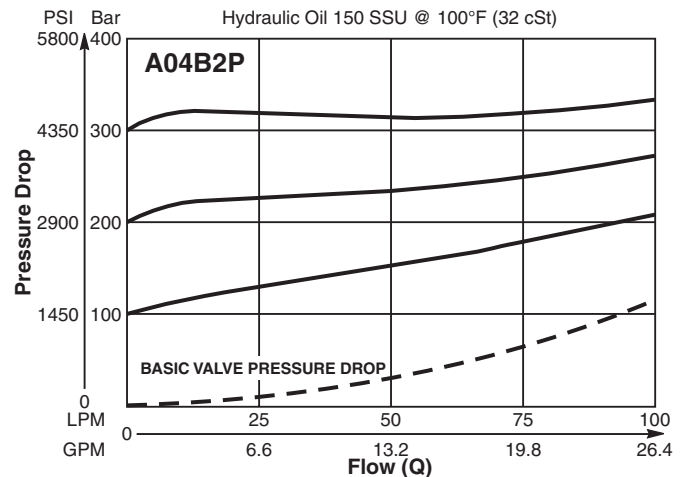
Performance Curves

(Pressure rise through cartridge only)

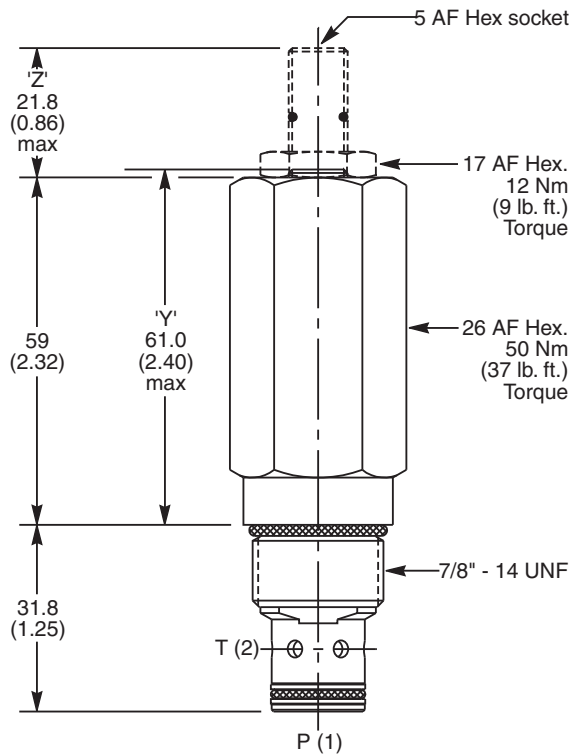
Flow vs. Inlet Pressure



Flow vs. Inlet Pressure



Dimensions Millimeters (Inches)



Ordering Information

A04B2							
10 Size Direct Acting Relief Valve	Pressure Adjustment Range	Adjustment Style	Optional Flow @ Pressure Setting	Optional Pressure Setting	Seals	Body Material	Port Size

Code	Pressure Adjustment Range
H	5 - 210 Bar (72 - 3000 PSI)
P	5 - 420 Bar (72 - 6000 PSI)

Optional Pressure Setting	
Specify setting if required (Bar)	
Y Setting must be specified	
A04B2H Standard Setting: 100 Bar (1450 PSI) @ 15 LPM (4.0 GPM)	
A04B2P Standard Setting: 200 Bar (2900 PSI) @ 15 LPM (4.0 GPM)	

Code	Body Material
Omit	Steel
A	Aluminum

Code	Adjustment Style / Kit No.
Z	Screw Adjust (Std.)
W	Knob Adjust
T	Tamper Resistant Cap (TC1130)
Y	Non Adjustable Preset

Code	Port Size	Body Part No.
Omit	Cartridge Only	
6T	SAE-6	(B10-2-*6T)
8T	SAE-8	(B10-2-*8T)

* Add "A" for aluminum, omit for steel.

Optional Flow @ Pressure Setting	
If you require a maximum pressure setting at a flow rate, please enter it here in Liters per minute (LPM).	
Standard setting: 15 LPM (4.0 GPM)	

Code	Seals / Kit No.
N	Nitrile, Buna-N (Std.) / (SK30503N-1)
V	Fluorocarbon / (SK30503V-1)

- CV** Check Valves
- SH** Shuttle Valves
- LM** Load/Motor Controls
- FC** Flow Controls
- PC** Pressure Controls
- LE** Logic Elements
- DC** Directional Controls
- MV** Manual Valves
- SV** Solenoid Valves
- PV** Proportional Valves
- CE** Coils & Electronics
- BC** Bodies & Cavities
- TD** Technical Data