

**Technical Information**

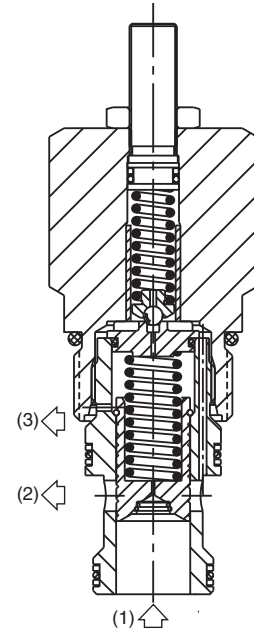
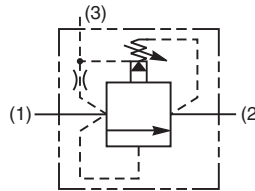
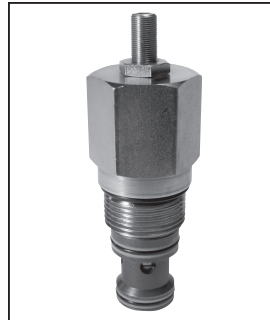
- CV** Check Valves
- SH** Shuttle Valves
- LM** Load/Motor Controls
- FC** Flow Controls
- PC** Pressure Controls
- LE** Logic Elements
- DC** Directional Controls
- MV** Manual Valves
- SV** Solenoid Valves
- PV** Proportional Valves
- CE** Coils & Electronics
- BC** Bodies & Cavities
- TD** Technical Data

**General Description**

Pilot Operated, Spool-Type, Ventable Relief Valve. For additional information see Technical Tips on pages PC1-PC6.

**Features**

- High flow capacity
- Full tank line back pressure
- Excellent pressure flow characteristics
- Ideal for pump relief and remote control or unloading via vent (port 3)
- Integral 250 micron pilot flow filter
- Hardened working parts for maximum durability
- Adjustable and tamperproof versions available
- All external parts zinc plated



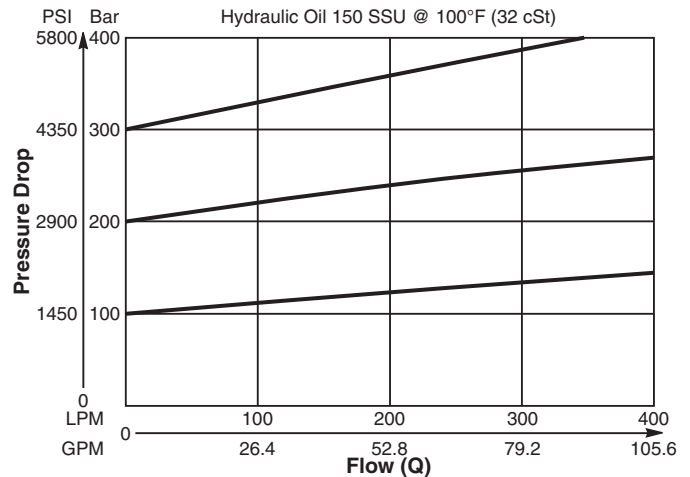
**Specifications**

<b>Rated Flow</b>	400 LPM (106 GPM)
<b>Maximum Inlet Pressure</b>	H - 10-210 Bar (145-3000 PSI) P - 10-420 Bar (145-6000 PSI)
<b>Maximum Pressure Setting</b>	420 Bar (6000 PSI)
<b>Sensitivity: Pressure/Turn</b>	H 30 Bar (435 PSI) P 55 Bar (800 PSI)
<b>Maximum Tank Pressure</b>	420 Bar (6000 PSI)
<b>Leakage at 150 SSU (32 cSt)</b>	100ml/min. @ 100 Bar (1450 PSI)
<b>Cartridge Material</b>	All parts steel. All operating parts hardened steel.
<b>Operating Temp. Range/Seals</b>	-34°C to +121°C (Nitrile) (-30°F to +250°F) -26°C to +204°C (Fluorocarbon) (-15°F to +400°F)
<b>Fluid Compatibility/Viscosity</b>	Mineral-based or synthetic with lubricating properties at viscosities of 45 to 2000 SSU (6 to 420 cSt)
<b>Filtration</b>	ISO-4406 18/16/13, SAE Class 4
<b>Approx. Weight</b>	0.58 kg (1.28 lbs.)
<b>Cavity</b>	C16-3S (See BC Section for more details)
<b>Form Tool</b>	Rougher None Finisher

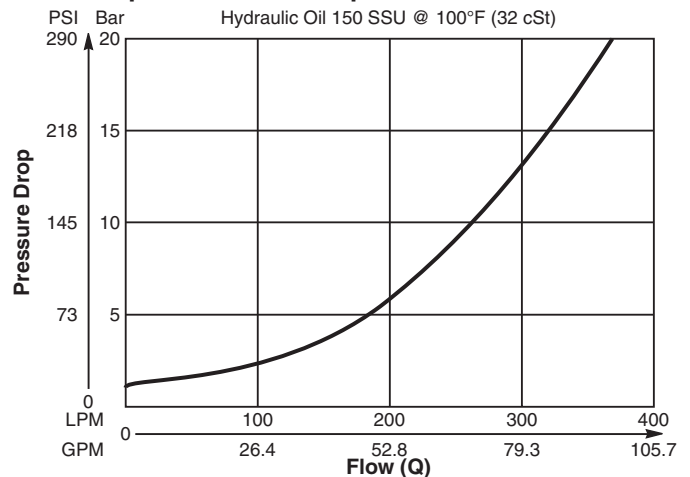
**Performance Curves**

(Pressure rise through cartridge only)

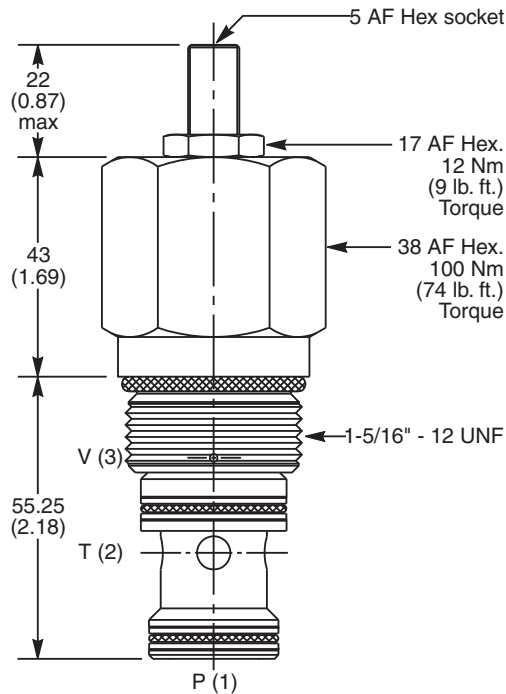
**Flow vs. Inlet Pressure 1 to 2**



**Vented Open Pressure Drop 1 to 2**



**Dimensions** Millimeters (Inches)



**Ordering Information**

<b>A06H3</b>	<input type="checkbox"/>	<input type="checkbox"/>	<input type="checkbox"/>	<input type="checkbox"/>	<input type="checkbox"/>	<input type="checkbox"/>	<input type="checkbox"/>
<b>16 Size Pilot Operated Relief Valve</b>	<b>Pressure Adjustment Range</b>	<b>Adjustment Style</b>	<b>Optional Flow @ Pressure Setting</b>	<b>Optional Pressure Setting</b>	<b>Seals</b>	<b>Body Material</b>	<b>Port Size</b>

Code	Pressure Adjustment Range
H	10 - 210 Bar (145 - 3000 PSI)
P	10 - 420 Bar (145 - 6000 PSI)

Code	Optional Pressure Setting
	Specify setting if required (Bar)
A06H3H	Standard Setting: 100 Bar (1450 PSI) @ 15 LPM (4.0 GPM)
A06H3P	Standard Setting: 200 Bar (2900 PSI) @ 15 LPM (4.0 GPM)

Code	Body Material
Omit	Steel
A	Aluminum

Code	Adjustment Style / Kit No.
Z	Screw Adjust (Std.)
W	Knob Adjust
T	Tamper Resistant Cap (TC1130)

Code	Port Size	Body Part No.
Omit	Cartridge Only	
16T	SAE-16	(B16-3S-*16T)

\* Add "A" for aluminum, omit for steel.

Code	Optional Flow @ Pressure Setting
	If you require a maximum pressure setting at a flow rate, please enter it here in Liters per minute (LPM). Standard setting: 15 LPM (4.0 GPM)

Code	Seals / Kit No.
N	Nitrile, Buna-N (Std.) / (SK30508N-1)
V	Fluorocarbon / (SK30508V-1)