

Technical Information

- CV** Check Valves
- SH** Shuttle Valves
- LM** Load/Motor Controls
- FC** Flow Controls
- PC** Pressure Controls
- LE** Logic Elements
- DC** Directional Controls
- MV** Manual Valves
- SV** Solenoid Valves
- PV** Proportional Valves
- CE** Coils & Electronics
- BC** Bodies & Cavities
- TD** Technical Data

General Description

Pilot Operated Pressure Reducing/Relieving Valve. For additional information see Technical Tips on pages PC1-PC6.

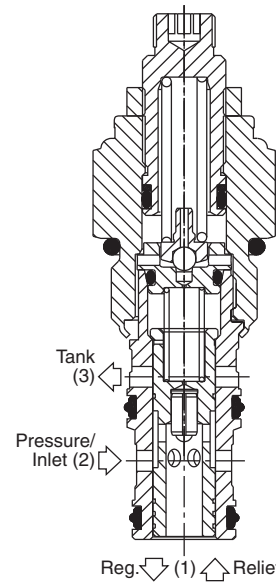
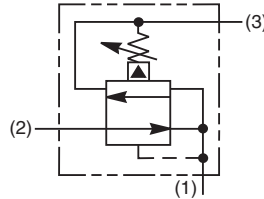
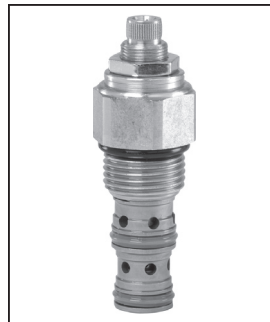


Features

- Hardened, precision ground parts for durability
- Low profile adapter for minimal space requirements
- Fully guided poppet for more consistent reseal
- Steel adapters are zinc plated
- Polyurethane "D"-Ring eliminates backup rings and prevents hydrolysis
- Internal screening protects pilot spring from debris

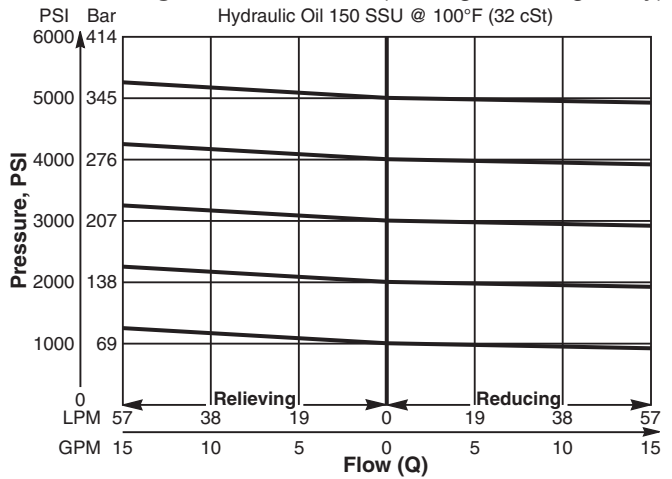
Specifications

Rated Flow	56.3 LPM (15 GPM)	
Maximum Inlet Pressure	380 Bar (5500 PSI)	
Maximum Pressure Setting	350 Bar (5000 PSI)	
Sensitivity: Pressure/Turn	10	19.6 Bar (285 PSI)
	20	39.3 Bar (570 PSI)
	30	58.9 Bar (859 PSI)
	50	131.7 Bar (1910 PSI)
Maximum Tank Pressure	350 Bar (5000 PSI)	
Maximum Drain Flow	0.94 LPM (0.25 GPM)	
Cartridge Material	All parts steel. All operating parts hardened steel.	
Operating Temp. Range/Seals	-45°C to +132°C ("D"-Ring) (-50°F to +270°F) -34°C to +121°C (Nitrile) (-30°F to +250°F) -26°C to +204°C (Fluorocarbon) (-15°F to +400°F)	
Fluid Compatibility/Viscosity	Mineral-based or synthetic with lubricating properties at viscosities of 45 to 2000 SSU (6 to 420 cSt)	
Filtration	ISO-4406 18/16/13, SAE Class 4	
Approx. Weight	.23 kg (0.5 lbs.)	
Cavity	C10-3 (See BC Section for more details)	
Form Tool	Rougher	NTF10-3R
	Finisher	NFT10-3F

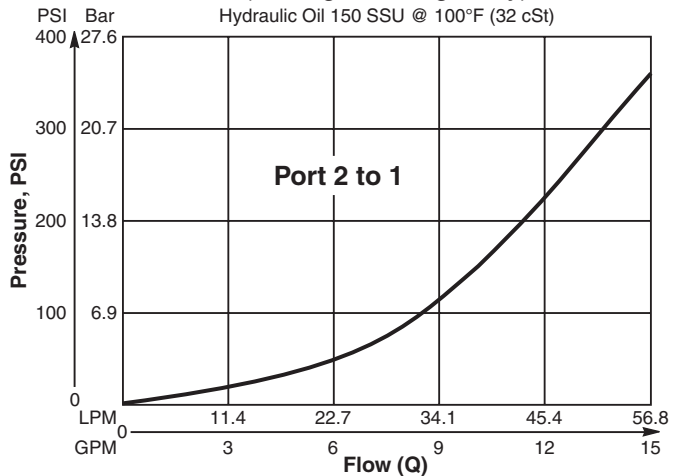


Performance Curves

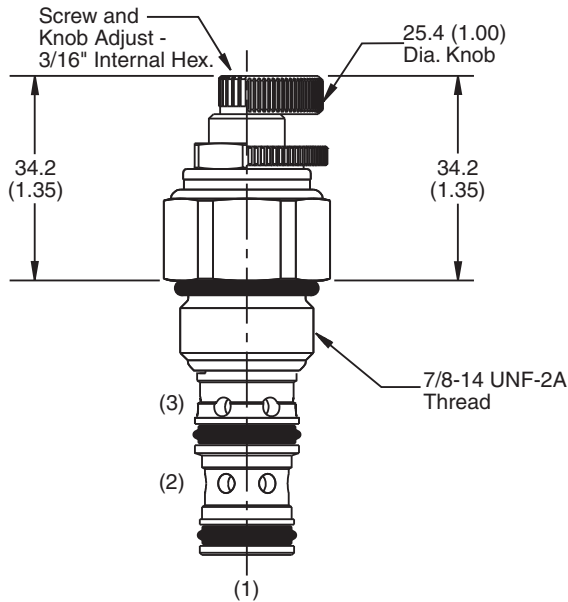
Flow vs. Regulated Pressure (Through cartridge only)



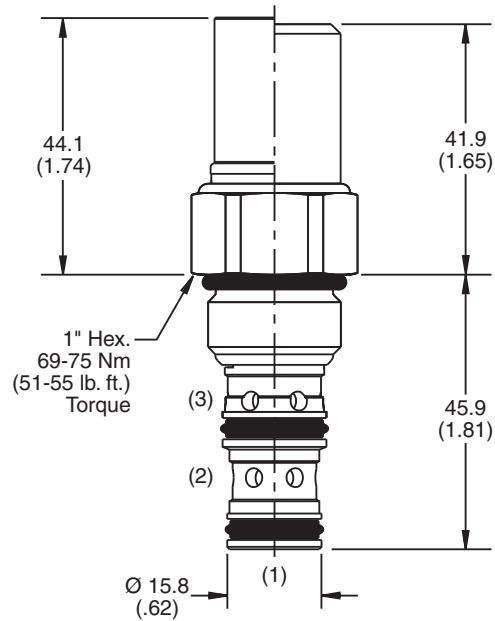
Pressure vs. Flow (Through cartridge only)



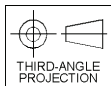
Dimensions Millimeters (Inches)



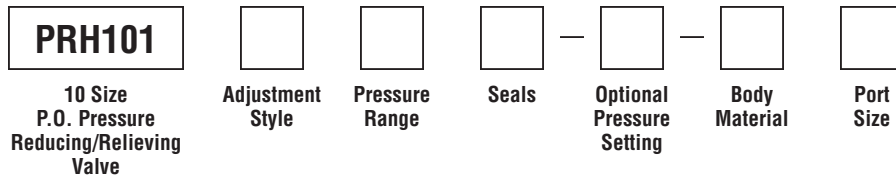
Screw/Knob Version



Fixed Cap/Tamper Resistant Version



Ordering Information



Code	Adjustment Style / Kit No.
F	Fixed style, preset at factory.
K	Knob Adjust (717784-10)
S	Screw Adjust
T	Tamper Resistant Cap (718083)

Code	Seals / Kit No.
Omit	"D"-Ring / (SK10-3)
N	Nitrile / (SK10-3N)
V	Fluorocarbon / (SK10-3V)

Code	Body Material
Omit	Steel
A	Aluminum

Code	Pressure Range
03	6.9 - 34.5 Bar (100 - 500 PSI) Standard Setting: 17.2 Bar (250 PSI)
10	13.7 - 69 Bar (200 - 1000 PSI) Standard Setting: 34.5 Bar (500 PSI)
20	27 - 138 Bar (400 - 2000 PSI) Standard Setting: 69 Bar (1000 PSI)
30	41.4 - 207 Bar (600 - 3000 PSI) Standard Setting: 103.5 Bar (1500 PSI)
50	82.8 - 345 Bar (1200 - 5000 PSI) Standard Setting: 172.4 Bar (2500 PSI)

Optional Pressure Setting
Pressure ÷ 10 i.e. 235 = 2350 PSI (Omit if standard setting is used) Setting Range: 100 to 5000 PSI

Code	Port Size	Body Part No.
Omit	Cartridge Only	
6T	SAE-6	(B10-3-*6T)
8T	SAE-8	(B10-3-*8T)

* Add "A" for aluminum, omit for steel.

NOTE: For settings below 20.7 Bar (300 PSI), flow rating is limited to 11.3 LPM (3 GPM).

- CV** Check Valves
- SH** Shuttle Valves
- LM** Load/Motor Controls
- FC** Flow Controls
- PC** Pressure Controls
- LE** Logic Elements
- DC** Directional Controls
- MV** Manual Valves
- SV** Solenoid Valves
- PV** Proportional Valves
- CE** Coils & Electronics
- BC** Bodies & Cavities
- TD** Technical Data