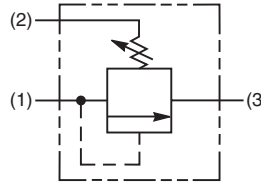
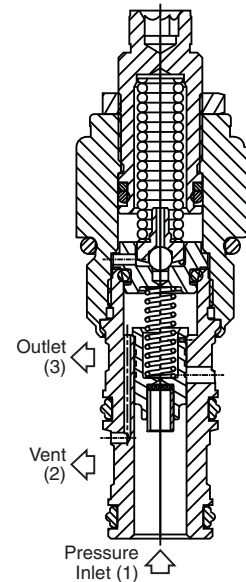


Technical Information

- CV** Check Valves
- SH** Shuttle Valves
- LM** Load/Motor Controls
- FC** Flow Controls
- PC** Pressure Controls
- LE** Logic Elements
- DC** Directional Controls
- MV** Manual Valves
- SV** Solenoid Valves
- PV** Proportional Valves
- CE** Coils & Electronics
- BC** Bore/ies & Cavities
- TD** Technical Data

General Description

Ventable Pilot Operated Spool-Type Relief Valve. This valve controls pressure via the internal spring chamber or via an external vent line. For addition information see Technical Tips on pages PC1-PC6.



Features

- Low override curve
- Ball-type pilot for added stability
- High accuracy - pilot operated design
- Hardened, precision ground parts for durability
- Compact size for reduced space requirements
- All external parts zinc plated

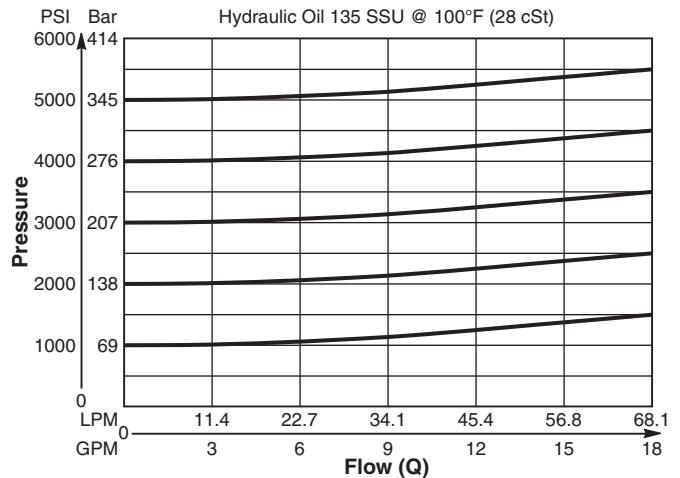
Specifications

Rated Flow	68 LPM (18 GPM)								
Maximum Inlet Pressure	380 Bar (5500 PSI)								
Maximum Pressure Setting	350 Bar (5000 PSI)								
Sensitivity: Pressure/Turn	<table style="border: none;"> <tr> <td style="padding-right: 10px;">10</td> <td>19.6 Bar (285 PSI)</td> </tr> <tr> <td>20</td> <td>39.3 Bar (570 PSI)</td> </tr> <tr> <td>30</td> <td>58.9 Bar (859 PSI)</td> </tr> <tr> <td>50</td> <td>131.7 Bar (1910 PSI)</td> </tr> </table>	10	19.6 Bar (285 PSI)	20	39.3 Bar (570 PSI)	30	58.9 Bar (859 PSI)	50	131.7 Bar (1910 PSI)
10	19.6 Bar (285 PSI)								
20	39.3 Bar (570 PSI)								
30	58.9 Bar (859 PSI)								
50	131.7 Bar (1910 PSI)								
Maximum Tank Pressure	350 Bar (5000 PSI)								
Reseat Pressure	80% of crack pressure								
Leakage at 150 SSU (32 cSt)	5 cc per 100 PSI (6.8 Bar) setting								
Cartridge Material	All parts steel. All operating parts hardened steel.								
Operating Temp. Range/Seals	-45°C to +132°C ("D"-Ring) (-50°F to +270°F) -34°C to +121°C (Nitrile) (-30°F to +250°F) -26°C to +204°C (Fluorocarbon) (-15°F to +400°F)								
Fluid Compatibility/Viscosity	Mineral-based or synthetic with lubricating properties at viscosities of 45 to 2000 SSU (6 to 420 cSt)								
Filtration	ISO-4406 18/16/13, SAE Class 4								
Approx. Weight	.23 kg (.50 lbs.)								
Cavity	C10-3 (See BC Section for more details)								
Form Tool	Rougher NFT10-3R Finisher NFT10-3F								

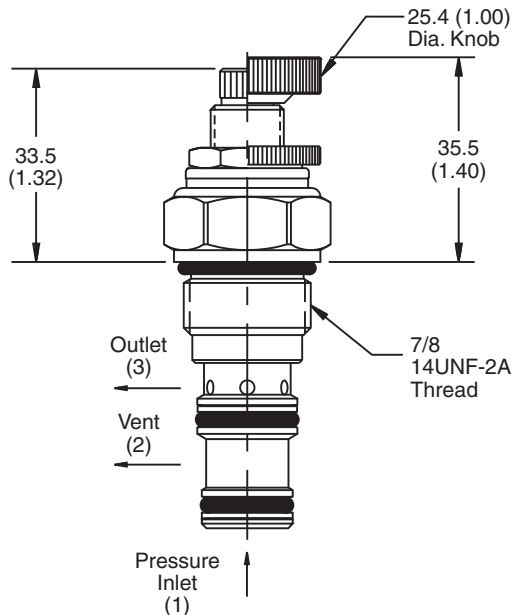
Performance Curves

Flow vs. Inlet Pressure

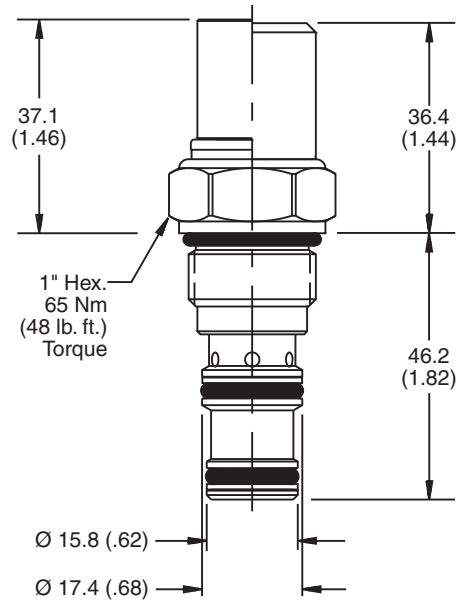
(Pressure rise through cartridge only)



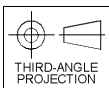
Dimensions Millimeters (Inches)



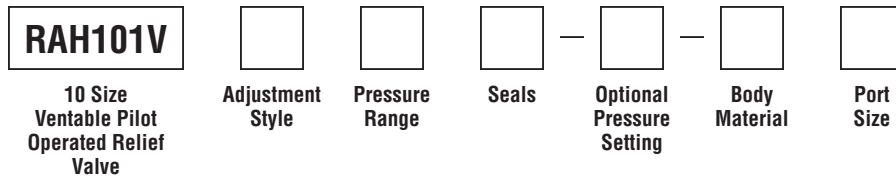
Screw/Knob Version



Fixed Cap/Tamper Resistant Version



Ordering Information



Code	Adjustment Style / Kit No.
F	Fixed style, preset at factory.
K	Knob Adjust (717784-10)
S	Screw Adjust
T	Tamper Resistant Cap (718083)

Code	Seals / Kit No.
Omit	"D"-Ring / (SK10-3)
N	Nitrile / (SK10-3N)
V	Fluorocarbon / (SK10-3V)

Code	Body Material
Omit	Steel
A	Aluminum

Code	Pressure Range
10	6.9 - 69 Bar (100 - 1000 PSI) Standard Setting: 34.5 Bar (500 PSI) @ 11.3 LPM (3 GPM)
20	13.8 - 138 Bar (200 - 2000 PSI) Standard Setting: 69 Bar (1000 PSI) @ 11.3 LPM (3 GPM)
30	20.7 - 207 Bar (300 - 3000 PSI) Standard Setting: 103.5 Bar (1500 PSI) @ 11.3 LPM (3 GPM)
50	34.5 - 345 Bar (500 - 5000 PSI) Standard Setting: 172.4 Bar (2500 PSI) @ 11.3 LPM (3 GPM)

Optional Pressure Setting
Pressure ÷ 10 i.e. 235 = 2350 PSI (Omit if standard setting is used) Setting Range: 100 to 5000 PSI All settings at 11.3 LPM (3 GPM)

Code	Port Size	Body Part No.
Omit	Cartridge Only	
6T	SAE-6	(B10-3-*6T)
8T	SAE-8	(B10-3-*8T)

* Add "A" for aluminum, omit for steel.