

<b>CV</b>	Check Valves
<b>SH</b>	Shuttle Valves
<b>LM</b>	Load/Motor Controls
<b>FC</b>	Flow Controls
<b>PC</b>	Pressure Controls
<b>LE</b>	Logic Elements
<b>DC</b>	Directional Controls
<b>MV</b>	Manual Valves
<b>SV</b>	Solenoid Valves
<b>PV</b>	Proportional Valves
<b>CE</b>	Coils & Electronics
<b>CB</b>	Cartridge Bodies
<b>BC</b>	Bodies & Cavities
<b>TD</b>	Technical Data

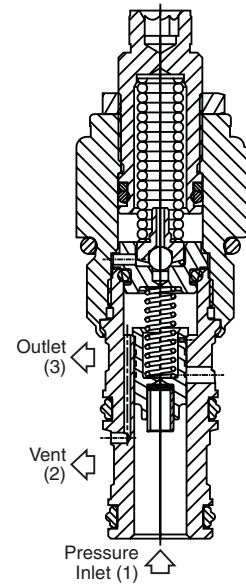
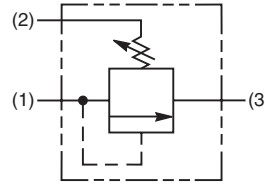
## General Description

Ventable Pilot Operated Spool-Type Relief Valve. This valve controls pressure via the internal spring chamber or via an external vent line. For additional information see Technical Tips on pages PC1-PC6.



## Features

- Low override curve
- Ball-type pilot for added stability
- High accuracy - pilot operated design
- Hardened, precision ground parts for durability
- Compact size for reduced space requirements
- All external parts zinc plated



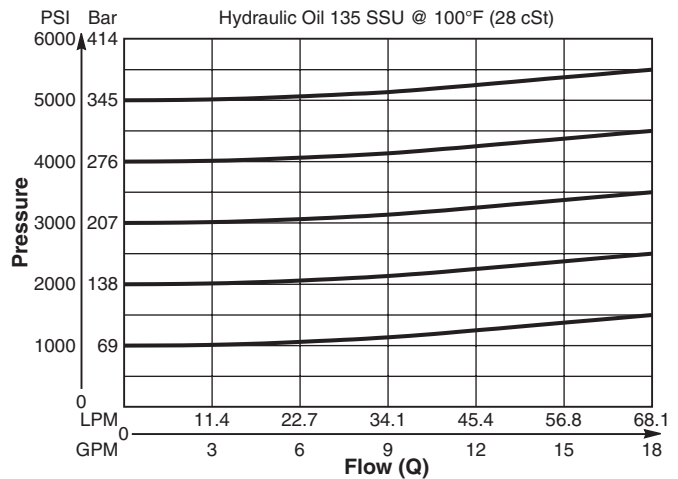
## Specifications

Rated Flow	68 LPM (18 GPM)
Maximum Inlet Pressure	380 Bar (5500 PSI)
Maximum Pressure Setting	350 Bar (5000 PSI)
Sensitivity: Pressure/Turn	<b>10</b> 19.6 Bar (285 PSI) <b>30</b> 58.9 Bar (859 PSI) <b>50</b> 131.7 Bar (1910 PSI)
Maximum Tank Pressure	350 Bar (5000 PSI)
Reseat Pressure	80% of crack pressure
Leakage at 150 SSU (32 cSt)	5 cc per 6.8 Bar (100PSI) setting
Cartridge Material	All parts steel. All operating parts hardened steel.
Operating Temp. Range/Seals	-37°C to +93°C ("D"-Ring) -35°F to +200°F -34°C to +121°C (Nitrile) (-30°F to +250°F) -26°C to +204°C (Fluorocarbon) (-15°F to +400°F)
Fluid Compatibility/Viscosity	Mineral-based or synthetic with lubricating properties at viscosities of 45 to 2000 SSU (6 to 420 cSt)
Filtration	ISO-4406 18/16/13, SAE Class 4
Approx. Weight	0.23 kg (0.50 lbs.)
Cavity	C10-3 (See BC Section for more details)
Form Tool	Rougher NFT10-3R Finisher NFT10-3F

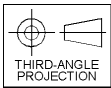
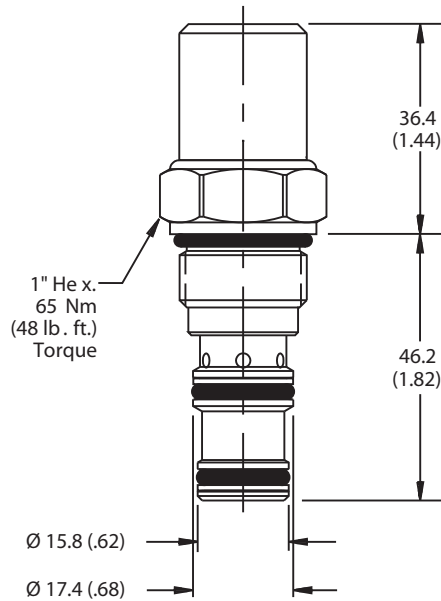
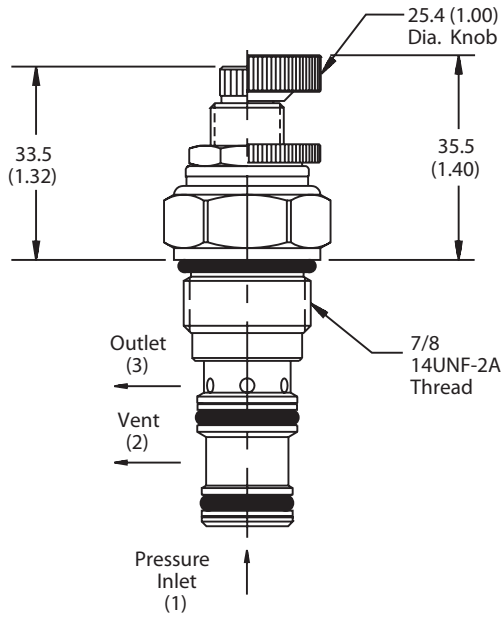
## Performance Curves

### Flow vs. Inlet Pressure

(Pressure rise through cartridge only)



**Dimensions** Millimeters (Inches)



Screw/Knob Version

Tamper Resistant Version

**Ordering Information**

<b>RAH101V</b>			
<b>10 Size Ventable Pilot Operated Relief Valve</b>	<b>Adjustment Style</b>	<b>Pressure Range</b>	<b>Seals</b>

**Highlighted** represents preferred options that offer the shortest lead times. Other options may be available, but at extended lead times.

Code	Adjustment Style / Kit No.
K	Knob Adjust (717784-10)
<b>S</b>	<b>Screw Adjust</b>
T	Tamper Resistant Cap (718083)

Code	Seals / Kit No.
Omit	<b>"D"-Ring / (SK10-3)</b>
N	Nitrile / (SK10-3)
V	Fluorocarbon / (SK10-3V)

Code	Pressure Range
10	<b>6.9 - 69 Bar (100 - 1000 PSI)</b> Standard Setting: 34.5 Bar (500 PSI) @ 11.3 LPM (3 GPM)
30	20.7 - 207 Bar (300 - 3000 PSI) Standard Setting: 103.5 Bar (1500 PSI) @ 11.3 LPM (3 GPM)
50	<b>34.5 - 345 Bar (500 - 5000 PSI)</b> Standard Setting: 172.4 Bar (2500 PSI) @ 11.3 LPM (3 GPM)

Order Bodies Separately  
 See section BC

<b>B10</b>	<b>3</b>	
10 size	3-Way Cavity	Port Size

Code	Porting / Body Material
8T	SAE-8 / Steel (5000 PSI)
A8T	SAE-8 / Aluminium (3000 PSI)

CV
Check Valves
SH
Shuttle Valves
LM
Load/Motor Controls
FC
Flow Controls
PC
Pressure Controls
LE
Logic Elements
DC
Directional Controls
MV
Manual Valves
SV
Solenoid Valves
PV
Proportional Valves
CE
Coils & Electronics
CB
Cartrpak Bodies
BC
Bodies & Cavities
TD
Technical Data