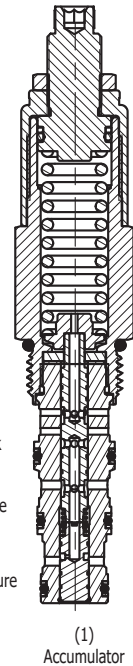


- CV** Check Valves
- SH** Shuttle Valves
- LM** Load/Motor Controls
- FC** Flow Controls
- PC** Pressure Controls
- LE** Logic Elements
- DC** Directional Controls
- MV** Manual Valves
- SV** Solenoid Valves
- PV** Proportional Valves
- CE** Coils & Electronics
- CB** Cartridge Bodies
- BC** Bodies & Cavities
- TD** Technical Data

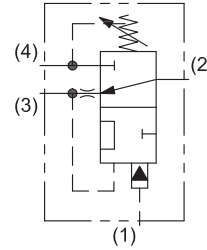
**General Description**

Pressure Unloading Valve Assembly  
 This valve is best suited for accumulator unloading circuits or can be used as a remote to pilot valves. They provide a fixed percentage between load and unload pressures. For additional information see Technical Tips on pages PC1-PC6.



**Features**

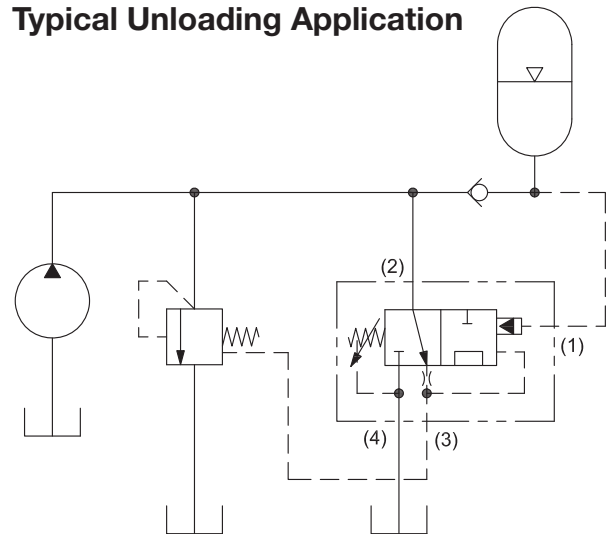
- Low hysteresis
- Cartridge design
- Hardened, precision ground parts for durability
- All external parts zinc plated



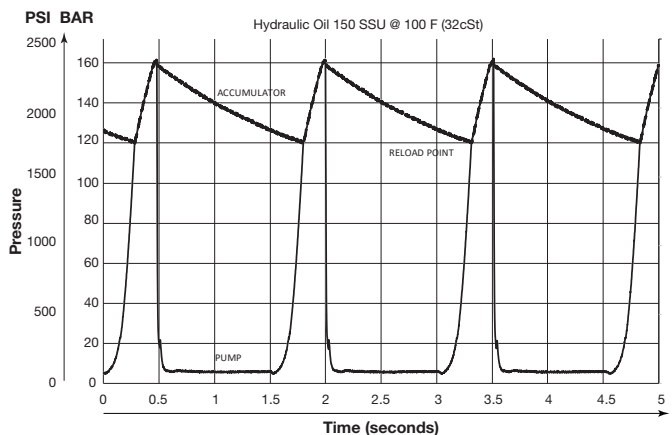
**Specifications**

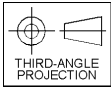
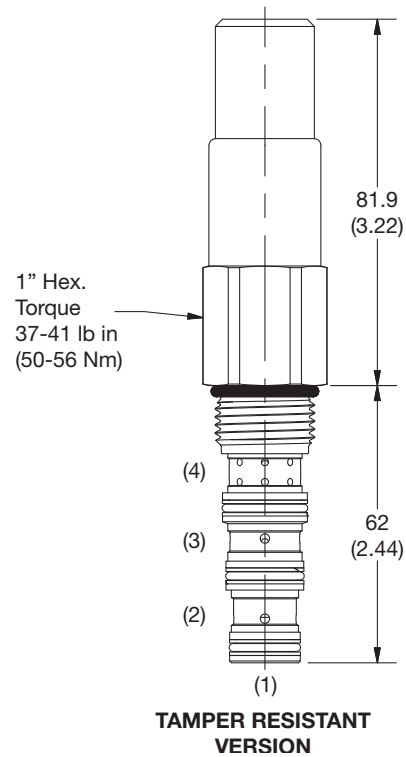
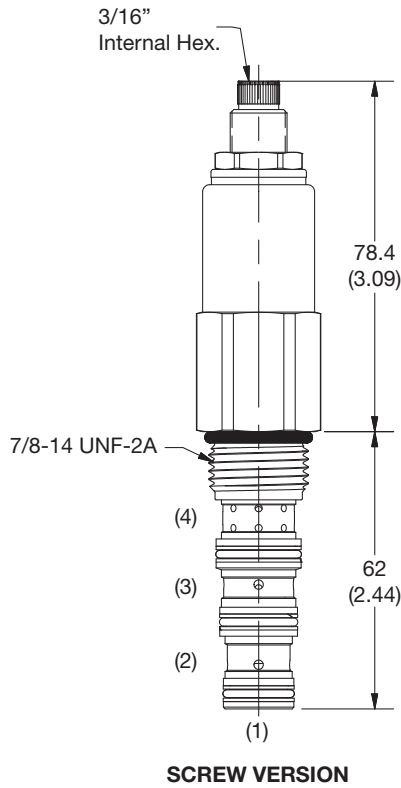
Rated Flow	1 LPM (.25 GPM)
Maximum Inlet Pressure	250 Bar (3600 PSI)
Maximum Pressure Setting	250 Bar (3600 PSI)
Maximum Tank Pressure	210 Bar (3000 PSI)
Leakage at 150 SSU (32 cSt)	Port 1 leakage 48 ml/min. @207 Bar (3000 PSI)
Cartridge Material	All parts steel. All operating parts hardened steel.
Operating Temp. Range/Seals	-37°C to +93°C ("D"-Ring) -35°F to +200°F -34°C to +121°C (Nitrile) (-30°F to +250°F) -26°C to +204°C (Fluorocarbon) (-15°F to +400°F)
Fluid Compatibility/Viscosity	Mineral-based or synthetic with lubricating properties at viscosities of 45 to 2000 SSU (6 to 420 cSt)
Filtration	ISO-4406 18/16/13, SAE Class 4
Approx. Weight	0.45 kg (1.0 lbs.)
Cavity	C10-4 (See BC Section for more details)
Form Tool	Rougher NFT10-4R Finisher NFT10-4F

**Typical Unloading Application**



**Performance Curve  
 Pump and Accumulator Pressure vs. Time**





**Ordering Information**

<b>RU104</b>			<b>B</b>	
10 Size Pressure Unloading Valve	Adjustment Style	Pressure Range	Reload	Seals

**Highlighted** represents preferred options that offer the shortest lead times. Other options may be available, but at extended lead times.

Code	Adjustment Style / Kit No.
S	Screw Adjust
T	Tamper Resistant Cap (717943)

Code	Reload
B	80% ±5% of Pressure Setting

Code	Pressure Range
12	55.2 - 82.7 Bar (800 - 1200 PSI) Standard Setting: 68.9 Bar (1000 PSI) @ 1.1 LPM (.3 GPM)
24	68.9 - 165.5 Bar (1000 - 2400 PSI) Standard Setting: 117.2 Bar (1700 PSI) @ 1.1 LPM (.3 GPM)
36	120.7 - 248.2 Bar (1750 - 3600 PSI) Standard Setting: 184.4 Bar (2675 PSI) @ 1.1 LPM (.3 GPM)

Code	Seals / Kit No.
Omit	"D"-Ring (SK10-4)
N	Nitrile / (SK10-4)
V	Fluorocarbon / (SK10-4V)

Order Bodies Separately  
 See section BC

<b>B10</b>	<b>4</b>	
10 size	4-Way Cavity	Port Size

Code	Porting / Body Material
8T	SAE-8 / Steel (5000 PSI)
A8T	SAE-8 / Aluminium (3000 PSI)

CV
Check Valves
SH
Shuttle Valves
LM
Load/Motor Controls
FC
Flow Controls
PC
Pressure Controls
LE
Logic Elements
DC
Directional Controls
MV
Manual Valves
SV
Solenoid Valves
PV
Proportional Valves
CE
Coils & Electronics
CB
Carpack Bodies
BC
Bodies & Cavities
TD
Technical Data