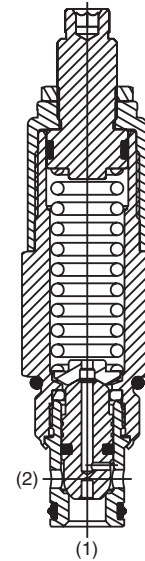
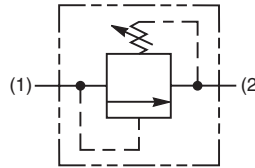


General Description

Direct Acting Poppet-Type Relief Valve.
 For additional information see Technical Tips on pages PC3-PC7.

Features

- Hardened, precision ground parts for durability
- Internal mechanical stop limits poppet travel eliminating spring solidification
- Spherical poppets for low leakage
- “D”-Ring eliminates backup rings
- All external parts zinc plated
- Fast response



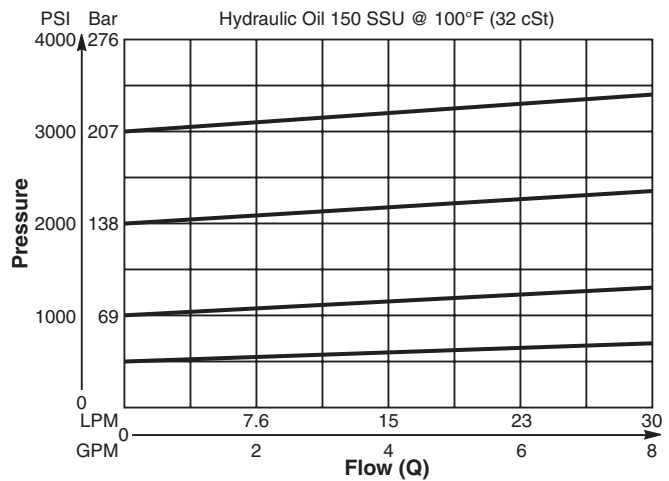
Specifications

Rated Flow	38 LPM (10 GPM)
Maximum Inlet Pressure	250 Bar (3600 PSI)
Maximum Pressure Setting	210 Bar (3000 PSI)
Sensitivity: Pressure/Turn	09 7.2 Bar (104 PSI) 18 16 Bar (234 PSI) 30 103.4 Bar (1500 PSI)
Maximum Tank Pressure	210 Bar (3000 PSI)
Reseat Pressure	85% of crack pressure
Leakage at 150 SSU (32 cSt)	5 drops/min. (.33 cc/min.) @75% of crack pressure
Cartridge Material	All parts steel. All operating parts hardened steel.
Operating Temp. Range/Seals	-37°C to +93°C (“D”-Ring) (-35°F to +200°F) -34°C to +121°C (Nitrile) (-30°F to +250°F) -26°C to +204°C (Fluorocarbon) (-15°F to +400°F)
Fluid Compatibility/Viscosity	Mineral-based or synthetic with lubricating properties at viscosities of 45 to 2000 SSU (6 to 420 cSt)
Filtration	ISO-4406 18/16/13, SAE Class 4
Approx. Weight	0.23 kg (0.5 lbs.)
Cavity	C10-2 (See BC Section for more details)

Performance Curve

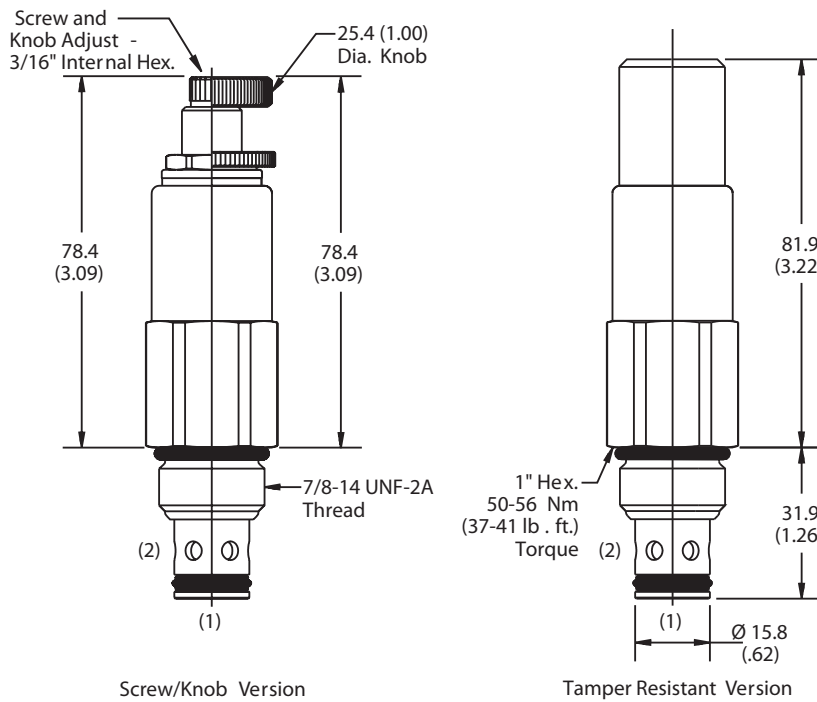
Flow vs. Inlet Pressure

(Pressure rise through cartridge only)



- CV
Check Valves
- SH
Shuttle Valves
- LM
Load/Motor Controls
- FC
Flow Controls
- PC**
Pressure Controls
- LE
Logic Elements
- DC
Directional Controls
- SV
Solenoid Valves
- PV
Proportional Valves
- CE
Coils & Electronics
- BC
Bodies & Cavities
- TD
Technical Data

Dimensions Millimeters (Inches)



Screw/Knob Version

Tamper Resistant Version

Ordering Information

RD102	S	<input type="checkbox"/>
10 Size Direct Acting Relief Valve	Adjustment Style	Pressure Range

Highlighted represents preferred options that offer the shortest lead times. Other options may be available, but at extended lead times.

Order Bodies Separately
 See section BC

B10	-	2	-	8T
10 size		2-Way Cavity		Port Size

Code	Adjustment Style
S	Screw Adjust

Code	Seals
Omit	D-Ring

Code	Porting / Body Material
8T	SAE-8 / Steel (5000 PSI)

Code	Pressure Range
09	7 - 62 Bar (100 - 900 PSI) Standard Setting: 31.0 Bar (450 PSI) @ .95 LPM (.25 GPM)
18	13.8 - 124 Bar (200 - 1800 PSI) Standard Setting: 62.1 Bar (900 PSI) @ .95 LPM (.25 GPM)
30	41.4 - 207 Bar (600 - 3000 PSI) Standard Setting: 103.4 Bar (1500 PSI) @ .95 LPM (.25 GPM)

Kit	Part Number
Knob	717784-10
Tamper Resistant Cap	717943
D-Ring Seal	SK10-2
Nitrile Seal	SK10-2
Fluorocarbon Seal	SK10-2V

CV
Check Valves
SH
Shuttle Valves
LM
Load/Motor Controls
FC
Flow Controls
PC
Pressure Controls
LE
Logic Elements
DC
Directional Controls
SV
Solenoid Valves
PV
Proportional Valves
CE
Coils & Electronics
BC
Bodies & Cavities
TD
Technical Data