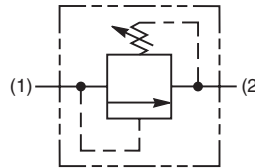
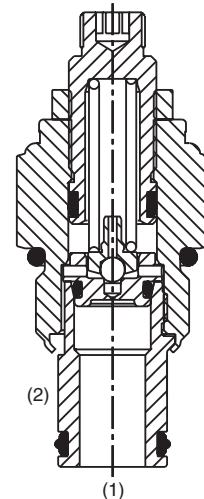


### General Description

Direct Acting Relief Valve. This valve is designed for pilot flow circuits. For additional information see Technical Tips on pages PC3-PC7.

### Features

- Hardened, precision ground parts for durability
- Low profile adapter for minimal space requirements
- Fully guided poppet for more consistent reseal
- Steel adapters are zinc plated
- Polyurethane “D”-Ring eliminates backup rings and prevents hydrolysis



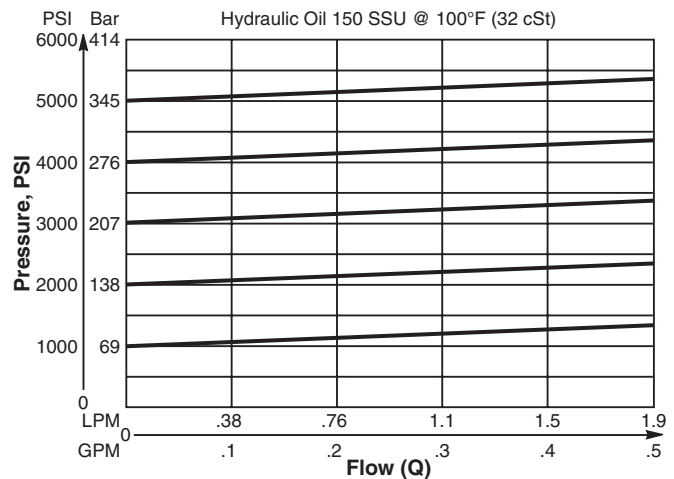
### Specifications

Rated Flow	1.9 LPM (0.5 GPM)
Maximum Inlet Pressure	380 Bar (5500 PSI)
Maximum Pressure Setting	350 Bar (5000 PSI)
Sensitivity: Pressure/Turn	<b>10</b> 19.6 Bar (285 PSI) <b>30</b> 58.9 Bar (859 PSI) <b>50</b> 131.7 Bar (1910 PSI)
Reseat Pressure	90% of crack pressure
Leakage at 150 SSU (32 cSt)	5 drops/min. (.33 cc/min.) @75% of crack pressure
Cartridge Material	All parts steel. All operating parts hardened steel.
Operating Temp. Range/Seals	-37°C to +93°C (“D”-Ring) (-35°F to +200°F) -34°C to +121°C (Nitrile) (-30°F to +250°F) -26°C to +204°C (Fluorocarbon) (-15°F to +400°F)
Fluid Compatibility/Viscosity	Mineral-based or synthetic with lubricating properties at viscosities of 45 to 2000 SSU (6 to 420 cSt)
Filtration	ISO-4406 18/16/13, SAE Class 4
Approx. Weight	0.18 kg (0.40 lbs.)
Cavity	C10-2 (See BC Section for more details)

### Performance Curve

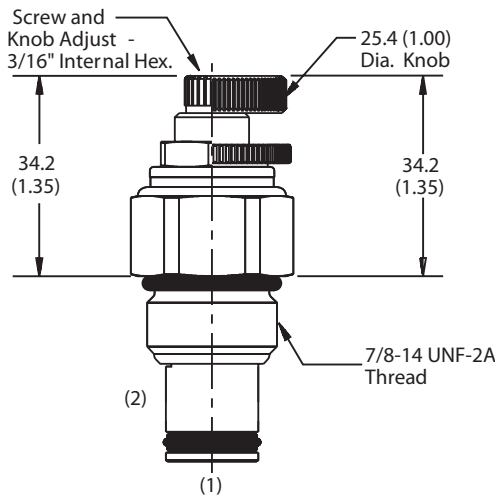
#### Flow vs. Inlet Pressure

(Pressure rise through cartridge only)

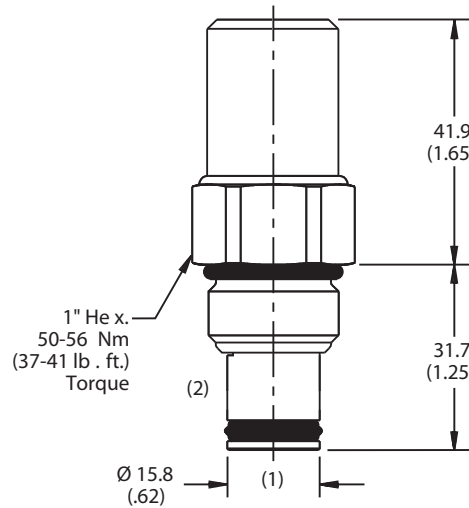


- CV  
Check Valves
- SH  
Shuttle Valves
- LM  
Load/Motor Controls
- FC  
Flow Controls
- PC**  
Pressure Controls
- LE  
Logic Elements
- DC  
Directional Controls
- SV  
Solenoid Valves
- PV  
Proportional Valves
- CE  
Coils & Electronics
- BC  
Bodies & Cavities
- TD  
Technical Data

**Dimensions** Millimeters (Inches)



Screw/Knob Version



Tamper Resistant Version

**Ordering Information**

<b>RDH101</b>	<b>S</b>	<input type="checkbox"/>
10 Size Direct Acting Relief Valve	Adjustment Style	Pressure Range

**Highlighted** represents preferred options that offer the shortest lead times. Other options may be available, but at extended lead times.

Code	Adjustment Style
S	Screw Adjust

Code	Seals
Omit	D-Ring

Code	Pressure Range
10	6.9 - 69 Bar (100 - 1000 PSI) Standard Setting: 34.5 Bar (500 PSI) @ crack pressure, approximately 100 cc/min (6.1 in <sup>3</sup> /min)
30	13.8 - 207 Bar (200 - 3000 PSI) Standard Setting: 103.5 Bar (1500 PSI) @ crack pressure, approximately 100 cc/min (6.1 in <sup>3</sup> /min)
50	13.8 - 345 Bar (200 - 5000 PSI) Standard Setting: 172.4 Bar (2500 PSI) @ crack pressure, approximately 100 cc/min (6.1 in <sup>3</sup> /min)

Kit	Part Number
Knob	717784-10
Tamper Resistant Cap	718083
D-Ring Seal	SK10-2
Nitrile Seal	SK10-2
Fluorocarbon Seal	SK10-2V

Order Bodies Separately  
 See section BC

<b>B10</b>	-	<b>2</b>	-	<b>8T</b>
10 size		2-Way Cavity		Port Size

Code	Porting / Body Material
8T	SAE-8 / Steel (5000 PSI)

CV
Check Valves
SH
Shuttle Valves
LM
Load/Motor Controls
FC
Flow Controls
PC
Pressure Controls
LE
Logic Elements
DC
Directional Controls
SV
Solenoid Valves
PV
Proportional Valves
CE
Coils & Electronics
BC
Bodies & Cavities
TD
Technical Data