

Turbine Series - 900/1000VMA-VMAM

FUEL

Specifications: Diesel Applications

Height: 900VMA: 17.03" (43.26 cm)
 900VMAM: 16.63" (42.24 cm)
 1000VMA: 21.95" (55.75 cm)
 1000VMAM: 21.63" (54.94 cm)

Width: 8.68" (22.00 cm)

Depth: 7.89" (20.02 cm)

Weight: 900VMA: 10.8 lbs (4.9 kg)
 900VMAM: 12.0 lbs (5.4 kg)
 1000VMA: 12.4 lbs (5.6 kg)
 1000VMAM: 13.6 lbs (6.2 kg)

Ports: 1 5/16"-12 UN-2B (SAE 1926-1)
 2X Port Plugs Supplied
 2X 3/4" NPTF Adapters Supplied

Service Clearance (Top): 900VMA/VMAM: 5.0" (12.7 cm)
 1000VMA/VMAM: 10.0" (25.4 cm)

Vacuum Installation Recommended
Maximum Head Pressure: 15 psi (1.03 bar)

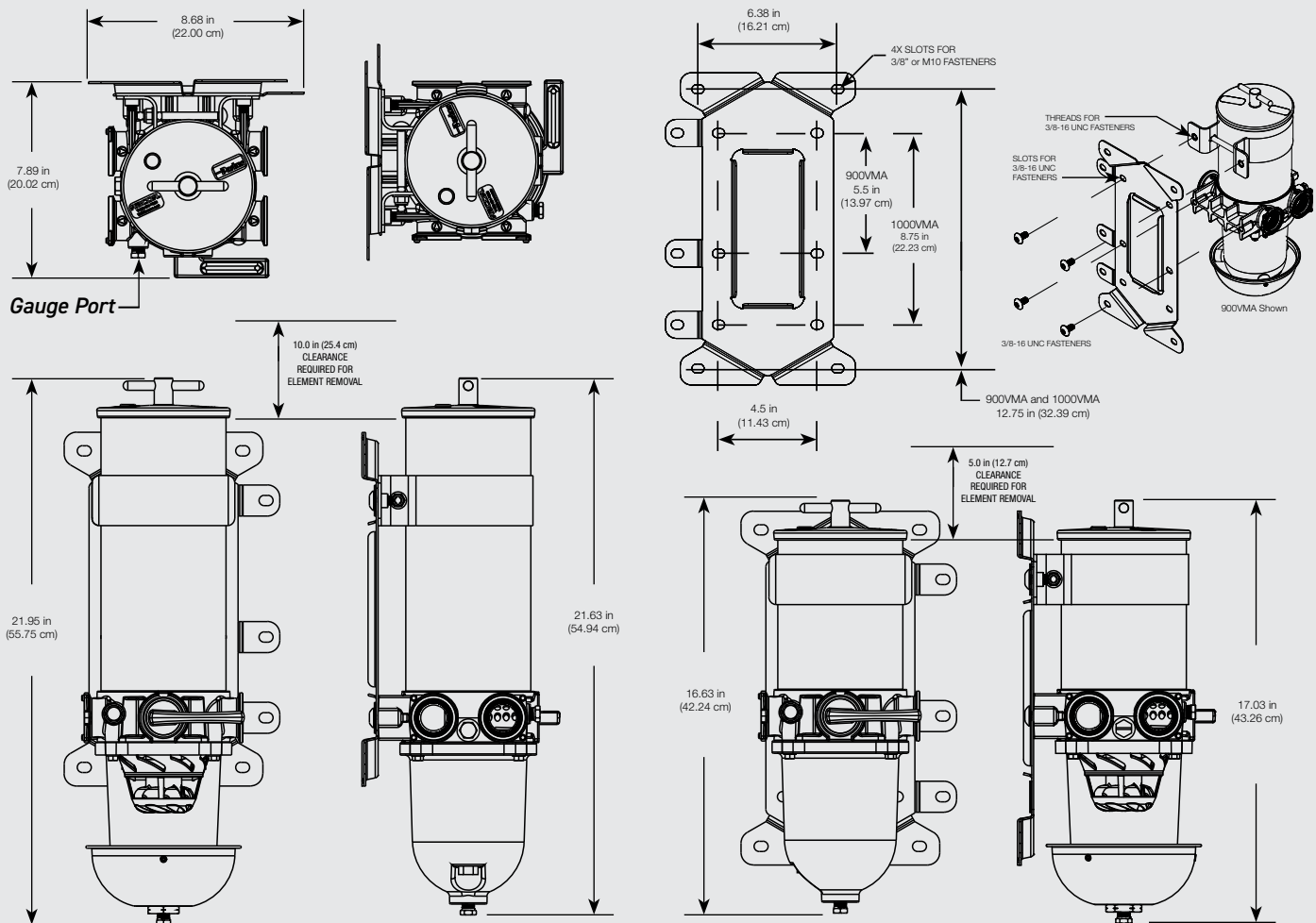
Max Flow Rate: 900VMA/VMAM: 90 gph (340 lph)
 1000VMA/VMAM: 180 gph (681 lph)

Create a Part Number

Housing Type		Bowl Type		Filtration Rating
Turbine Model 90 GPH Flow Rate	Turbine Model 180 GPH Flow Rate	Clear with Heat Shield All Metal		10 micron
900V	1000V	MA	MAM	10

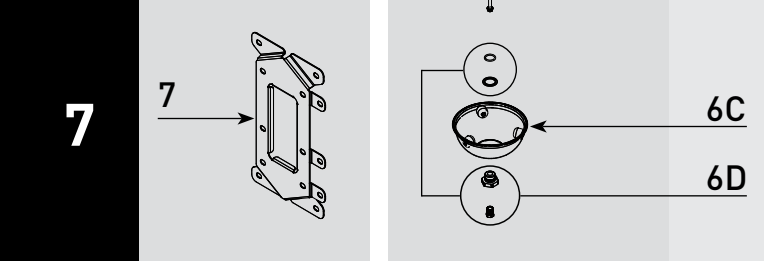
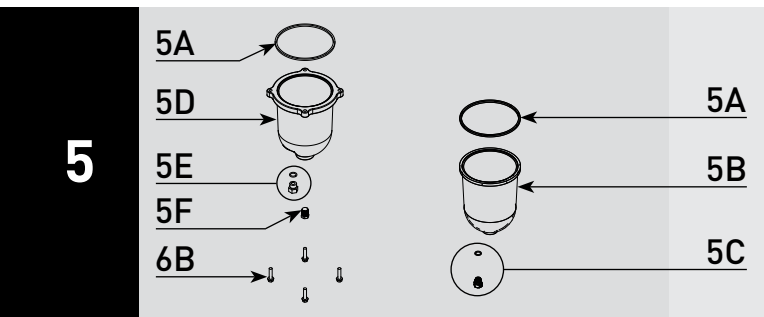
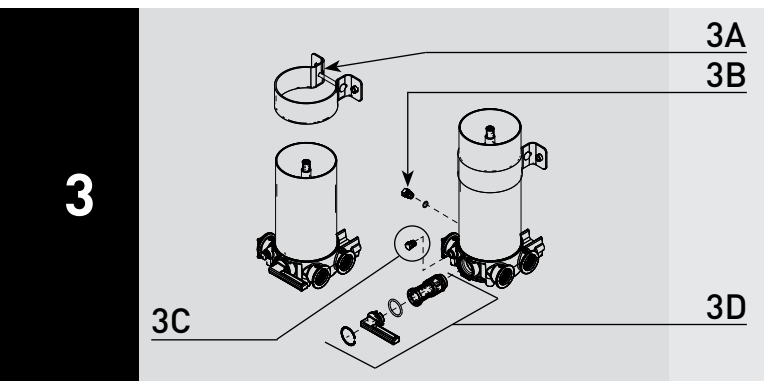
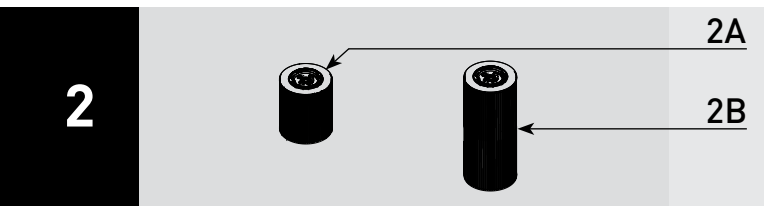
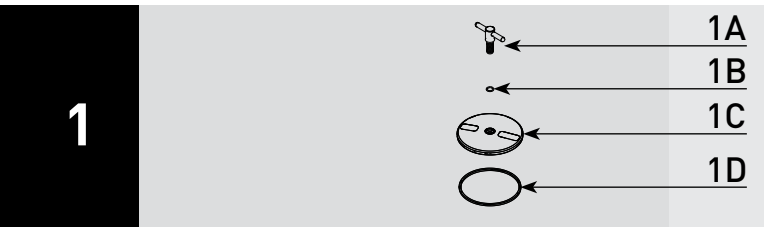
ASSEMBLY	DESCRIPTION
900VMA10	900 Turbine Assy., Heat Deflector; 10 micron Filter
900VMAM10	900 Turbine Assy., All Metal Bowl; 10 micron Filter
1000VMA10	1000 Turbine Assy., Heat Deflector; 10 micron Filter
1000VMAM10	1000 Turbine Assy., All Metal Bowl; 10 micron Filter

Dimensions:



PARTS

Turbine - 900/1000VMA-VMAM



Part #	Description
1A	RK11-2076-01 T-handle/Lid Kit - Includes 1B, 1C & 1D
1B	T-handle O-ring - Included in 8A
1C	900MA/1000MA Lid
1D	Lid Gasket - Included in 8A
2A	2040V2 900VMA(M) Service Filter 2 micron - Includes 1B & 1D 2040V2LL 900VMA(M) Service Filter 2 micron (Long Life) - Includes 1B & 1D 2040V10 900VMA(M) Service Filter 10 micron - Includes 1B & 1D 2040V30 900VMA(M) Service Filter 30 micron - Includes 1B & 1D
2B	2020V2 1000VMA(M) Service Filter 2 micron - Includes 1B & 1D 2020V2LL 1000VMA(M) Service Filter 2 micron (Long Life) - Includes 1B & 1D 2020V10 1000VMA(M) Service Filter 10 micron - Includes 1B & 1D 2020V30 1000VMA(M) Service Filter 30 micron - Includes 1B & 1D
3A	RK11-2077 Bracket Kit - Includes Bracket, Bolt, Washer, and Nut
3B	RK 11-1679 Feed-thru Plug - O-ring Included in 8A
3C	RK11-2078 Vacuum Gauge Port Plug (Metal)
3D	RK11-2079 Valve Rebuild Kit
4A	Checkball and Gasket - Included in 4B and 8A
4B	RK11-2080 Centrifuge/Baffle/Checkball/Gasket Kit - Includes 4A Checkball and Gasket - Included in 8A
5A	Bowl Gasket - Included in 8A
5B	RK 11-1606-1 Bowl Kit - Includes 5A, 5C, 6D (o-ring & gasket only)
5C	RK 20126 Bowl Plug (O-ring Included in 8A)
5D	RK 11734-03 VMAM Bowl Kit (Metal) - Includes 5A, 5E, 5F and 6B
5E	RK 20022 Metal Bowl Plug Kit (VMAM) (O-ring Included in 8A)
5F	RK11-2078 Drain Plug (Metal)
6A	RK 11037A-01 Bowl Ring Kit (For VMA Only - White) - Includes 5A & 6B
6B	RK 11542 Cap Screw Bowl Fasteners (set of 4)
6C	RK 11868 Heat Deflector Kit (VMA) - Includes 6D
6D	RK 11-1910 Drain Plug Kit (VMA) (Gasket & O-ring Included in 8A)
7	RK11-2083-01 Mounting Bracket Kit - Includes Bracket & 4 bolts
Accessories and Parts Available - Not Shown	
8A	RK 11-1404 Complete Seal Service Kit - 900/1000 Series Filters
8B	RK11-2085 900VMA(M)/1000VMA(M) Port Plug & Adapter Kit
8C	RK19671 Stainless Steel T-handle with Vacuum Gauge RK19668 Vacuum Gauge (30" Hg) - 1/4" NPT back or remote mount RK19667 Compound Gauge - pressure (15 PSI) and vacuum (30" Hg)
8D	RK 14329 Water Detection Module - 12 vdc RK 14321 Water Detection Module - 24 vdc
8E	RK30880E WIF Sensor/Detection Kit - 1/2"-20 UNF RK23191 WIF Probe - Stainless Steel - 1/2"-20 UNF - 2-wire (VMAM) - Requires 8D
8F	RK11-1978 Checkball Spring Kit - For use with Primer Pump Kit 8G
8G	RKP1912 Primer Pump Kit - 12 vdc - Adds 3.25" (8.26 cm) to Height RKP1924 Primer Pump Kit - 24 vdc - Adds 3.25" (8.26 cm) to Height