

SNAPP™ Fuel Filter Fittings

SAE J2044 Quick Connect Fittings
For Mobile and Marine SNAPP Fuel Filters

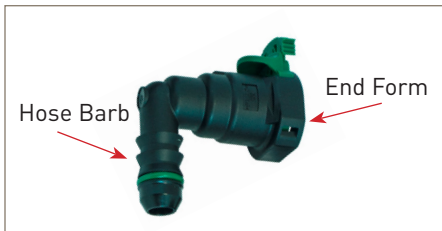


2 Pack Quick-Connect Fittings Kit

SNAPP 90° and straight fittings are now available with hose barbs for both 3/8" & 5/16" ID hose.

Installing one or both 90° quick connectors will reduce overall package space required and provide flexibility when connecting to existing fuel lines.

No tools are required to remove the quick connect fittings, which makes servicing the element quick and easy.



Contact Information

Parker Hannifin Corporation
Racor Division
P.O. Box 3208
3400 Finch Road
Modesto, CA 95353

phone 800 344 3286
209 521 7860
fax 209 529 3278
racor@parker.com

www.parker.com/racor

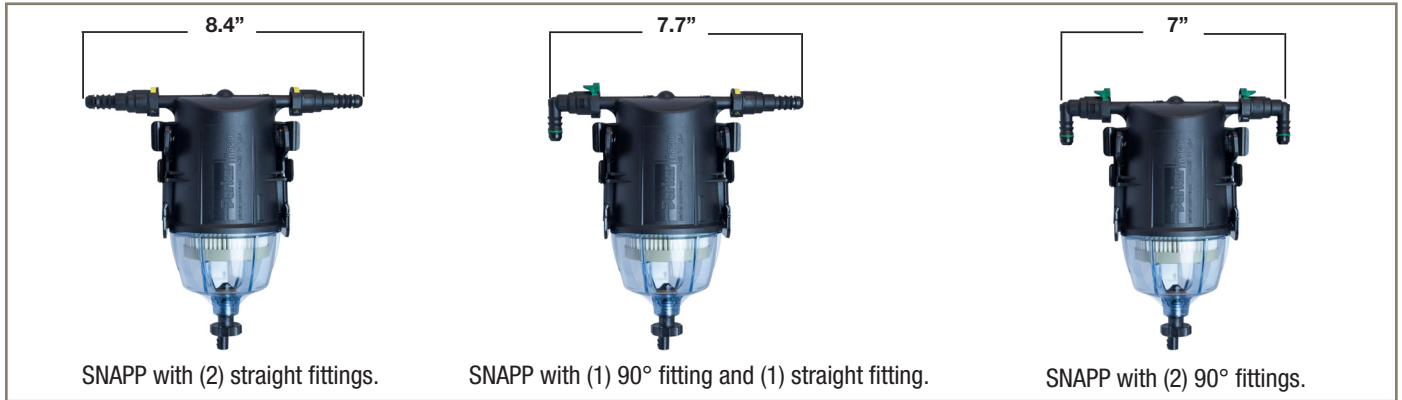


Part Number	Description	End Form	Hose Barb	Hose ID	# of Units
RK23319	90° Quick-Connect Fitting Kit, 3/8" x 3/8"	3/8" SAE J2044	3/8"	3/8"	2
RK23320	Straight Quick-Connect Fitting Kit, 3/8" x 5/16"	3/8" SAE J2044	5/16"	5/16"	2
RK23321	90° Quick-Connect Fitting Kit, 3/8" x 5/16"	3/8" SAE J2044	5/16"	5/16"	2

Product Information	
Construction	Lightweight, durable, high temperature composite body with additional retaining lock.
Rated Pressure	50 PSI (3.5 bar)
Temperature Range	-20° to 150°F (-29° to 66°C)
Industry Standard	SAE J2044

Space Saving Dimensions

The quick-connect 90° fittings offer up to 1.4" of clearance and are adjustable to fuel line needs.



Installation Instructions

To Install: Push connector onto the fuel port. The connector will click when engaged. Press in the lock. The lock will click when engaged.



To Un-install: Pull out lock. Press green retainer in. Pull fitting out.



Adjustable Fitting Position

