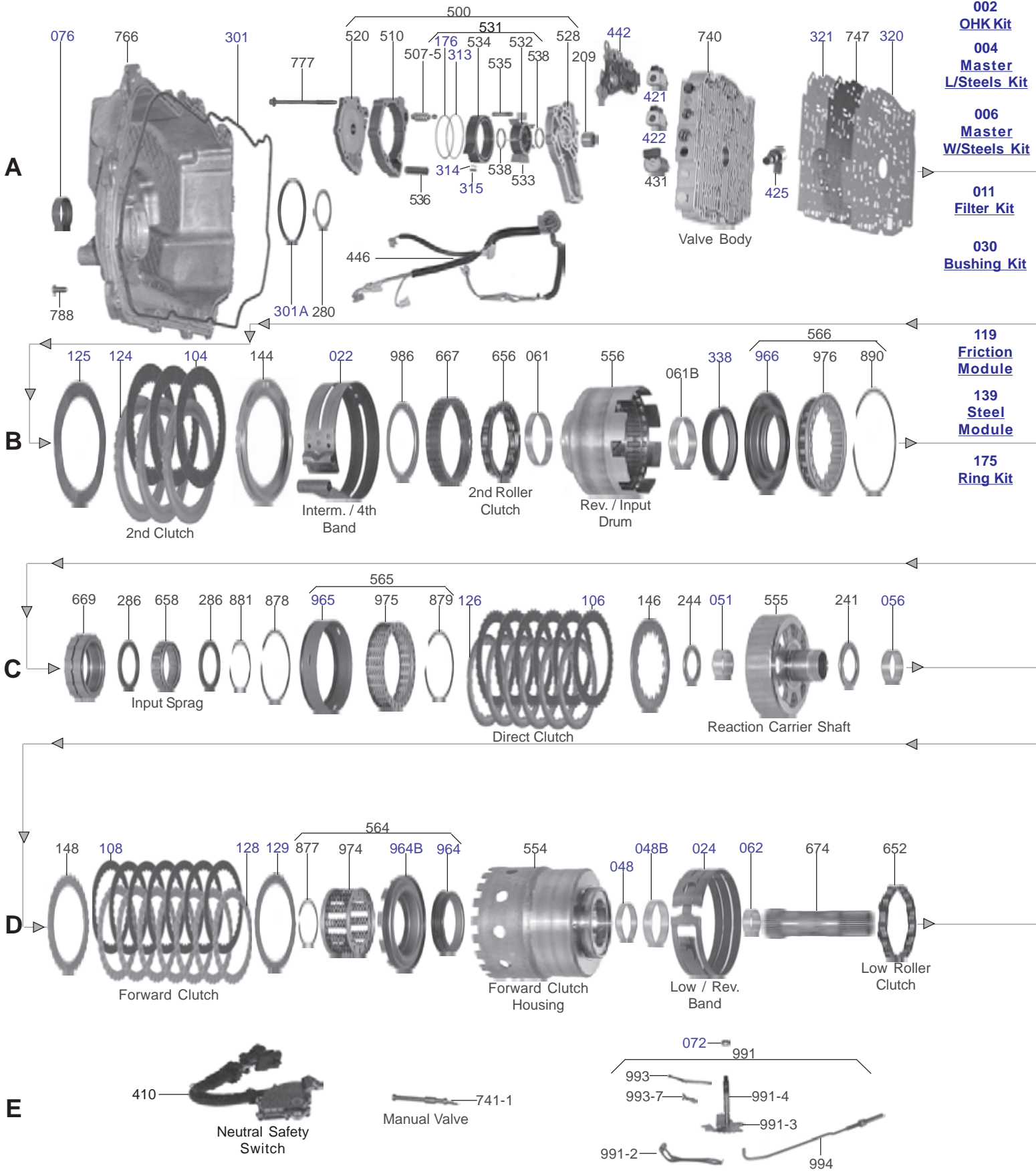
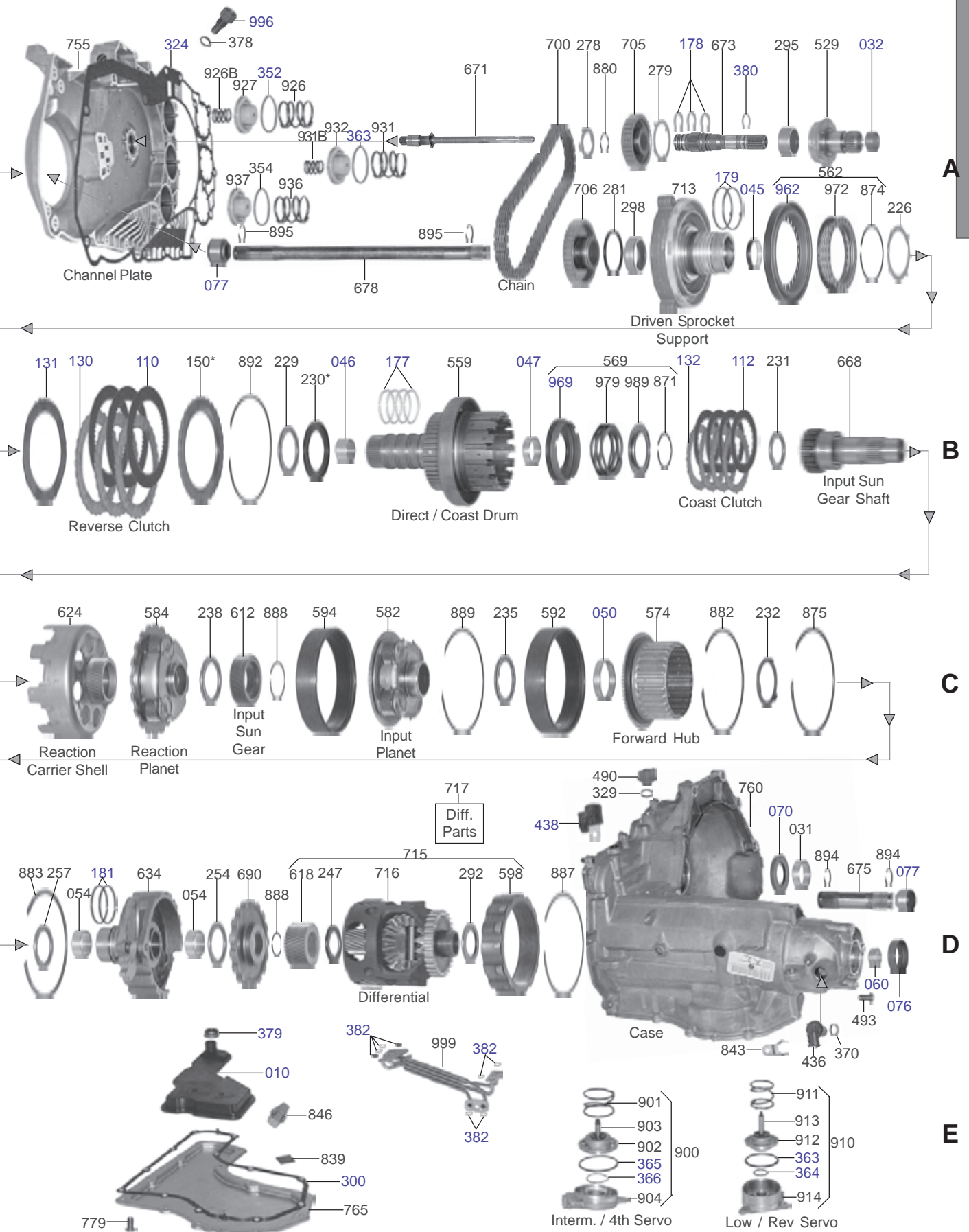


4T40E / 4T45E

FWD 4 Speed

General Motors





*Prefix Letter 'T' denotes Toledo-Trans Kit (TTK) Brand Transmission Kits

*Prefix Letter 'B' denotes Bryco Brand Transmission Kits

ILLUS. #	*PART #	OVERHAUL KIT	QTY.	REFERENCE #
002	T14002A	Overhaul Kit, 4T40E (Without Bonded Pistons) (W/Bonded Rubber Pan Gasket) 1995-Up	1	
002	TF14002A	Overhaul Kit, 4T40E (Without Bonded Pistons) (W/Fiber Pan Gasket) 1995-Up	1	
002	B14002A	Overhaul Kit, 4T40E (Without Bonded Pistons) (W/Bonded Rubber Pan Gasket) 1995-Up	1	
002	T14002AP	Overhaul Kit, 4T40E (W/Bonded Pistons) (W/Bonded Rubber Pan Gasket) 1995-Up	1	
002	B14002AP	Overhaul Kit, 4T40E (W/Bonded Pistons) (W/Bonded Rubber Pan Gasket) 1995-Up	1	
002	8310	Overhaul Kit, 4T40E (Without Bonded Pistons)(Without Pan Gasket) 1995-Up	1	
002	310	Bonded Piston Pack, 4T40E 1995-Up	1	

ILLUS. #	*PART #	MASTER L/STEEL KIT	QTY.	REFERENCE #
004	TF14004A	Master L/Steels Kit, 4T40E (Without Bonded Pistons) (W/Fiber Pan Gasket) 1995-Up	1	
004	B14004AP	Master L/Steels Kit, 4T40E (W/Bonded Pistons) (W/Bonded Rubber Pan Gasket) 1995-Up	1	

ILLUS. #	*PART #	MASTER W/STEEL KIT	QTY.	REFERENCE #
006	T14006A	Master W/Steels Kit, 4T40E (Without Bonded Pistons) (W/Bonded Rubber Pan Gasket) 1995-UP	1	
006	B14006AP	Master W/Steels Kit, 4T40E (W/Bonded Pistons) (W/Bonded Rubber Pan Gasket) 1995-Up	1	

ILLUS. #	PART #	GASKETS & RUBBER COMPONENTS	QTY.	REFERENCE #
E300	41819	Gasket, 4T40E Bottom Pan (Bonded) 1995-Up	1	24203590
A301A	41896176	Gasket, 4T40E Side Cover (Inner)(Molded Rubber) 1995-Up	1	8685154
A301	41896204	Gasket, 4T40E Side Cover (Outer)(Molded Rubber) 1995-Up	1	24210446
A320	41897624	Gasket, 4T40E Valve Body Plate to Case Cover 1995-03	1	24212642
A320	41897973	Gasket, 4T40E Valve Body Plate to Case Cover 2004-Up	1	24216019
A321	41897625	Gasket, 4T40E Valve Body to Plate 1995-03	1	24207387
A321	41897972	Gasket, 4T40E Valve Body to Plate 2004-Up	1	242160717
A324	41897623	Gasket, 4T40E Case to Case Cover 1995-Up	1	24201096
B338	41825	Piston, 4T40E Reverse Clutch (Inner)(Bonded)(Not Reusable if Taken Out) 1995-Up	1	24205040
A352	1988092	L/C Seal, 4T40E 1-2 Accumulator Piston 1995-Up (Also Fits 2-3 & 3-4 Accumulator)	1-3	24200739
A352	1988092	D-Ring, 4T40E 2-3 Accumulator Piston 1995-Up (Use 14352A)	1	24200739
A352	1988092	D-Ring, 4T40E 3-4 Accumulator Piston 1995-Up (Use 14352A)	1	24200739
E363	1990244	Lip Seal, 4T40E Low/Reverse Servo Piston 1995-Up	1	8684674
E364	1988091	L/C Seal, 4T40E Low/Reverse Servo Cover 1995-Up	1	8684394
E365	1990245	Lip Seal, 4T40E Intermediate/4th Servo Piston 1995-Up	1	8684673
E366	1988090	L/C Seal, 4T40E Intermediate/4th Servo Cover 1995-Up	1	8678478
	1994760	O-Ring, 4T40-E Connector Hsg. Green PTFE Coated 1995-Up	1	
A176	1994039	O-Ring, 4T40-E Pump Slide Back-Up	1	8631504
A315	42275003	Seal 4T40-E Pump Slide (Rubber) 1995-Up	1	8631283
A314	42275006	Seal 4T40-E Pump Slide (PTFE) 1995-Up	1	8631282
E379	41775164	Seal, 4T40E Filter 1995-Up	1	8684467
A380	1993019	O-Ring, 4T40E Turbine Shaft (Goes Behind Splines) (4 & 6 Cylinder Type)	1	8636033
	1993116	O-Ring, 4T40-E Speed Sensor 1995-Up	1	
	1994017	O-Ring, 4T40-E Filler Cap 1995-Up	1	
	1994519	O-Ring, 4T40-E Actuator Guide 1995-Up	1	8675086
E382	1994531	O-Ring, 4T40-E Oil Feed Tubes 1995-Up	8	
	1994013	O-Ring, 4T40-E Solenoid 1995-Up	1	
	1994014	O-Ring, 4T40-E Var. Solenoid 1995-Up	4	
	1994015	O-Ring, 4T40-E Var. Solenoid 1995-Up	2	

ILLUS. #	PART #	METAL CLAD SEALS	QTY.	REFERENCE #
D070	70015FM	Seal, 4T40E Front Converter 1995-Up	1	8664812
E072	70002	Seal, 4T40E Manual Shaft 1995-Up	1	8644709
A/ D076	70255CR	Seal, 4T40E Axle (Both Sides) 1995-Up	2	24201936
A/ D077	41875173	Seal/Sleeve, 4T40E Axle (Inner)(Both Sides) 1995-Up	2	8684482

ILLUS. #	PART #	OIL SEALING RINGS	QTY.	REFERENCE #
175	6188	Ring Kit, 4T40E (PTFE) 1995-Up	1	
A313	30115	Ring, 4T40E Pump Slide To Cover 1995-Up	1	8631417
B177	30168T	Ring, 4T40E Direct/Coast Clutch Drum (Solid)(PTFE) 1995-Up	4	8684272
A178	30142	Ring, 4T40E Turbine Shaft (Front)(Solid)(PTFE) 1995-Up	1	8637170
A178	30136	Ring, 4T40E Turbine Shaft (Rear)(Solid)(PTFE) 1995-Up	2	8643058

A179	30170TR	Ring, 4T40E Driven Sprocket Support (Torlon) 1995-Up	2	24201613
D181	30169TR	Ring, 4T40E Forward Drum Support (Torlon) 1995-Up	2	24204223

ILLUS. #	PART #	FRICTION CLUTCH	QTY.	REFERENCE #
B104	41826R	Friction, 4T40E 2nd Clutch .070" 1995-Up	3	24209723
C106	41822R	Friction, 4T40E Direct Clutch .070" (W/36 External Teeth) 1995-Up	4-6	24209727
D108	41820R	Friction, 4T40E Forward Clutch .069" (30 Teeth) 1995-Up	7	8684444
B110	41824R	Friction, 4T40E Reverse Clutch .070" 1995-Up	3	
B112	41828R	Friction, 4T40E Coast Clutch .070" 1995-Up	4	8684282
119	41880R	Friction Module, 4T40E (Stage 1) 1995-Up	1	

ILLUS. #	PART #	STEEL CLUTCH	QTY.	REFERENCE #
B124	41825	Steel, 4T40E 2nd Clutch .089" (8 Teeth) 1995-Up	3	24200790
B125	41825A	Steel, 4T40E 2nd Clutch (Waved) 1995-Up	1	24200298
C126	41823	Steel, 4T40E Direct Clutch .074" (W/16 Internal Teeth) 1995-Up	4-6	8685879
D128	41821	Steel, 4T40E Forward Clutch .069" (30 Teeth) 1995-Up	7	8684445
D129	41821A	Steel, 4T40E Forward Clutch .038" (12 Teeth)(Waved) 1995-Up	1	24200467
B130	41827B	Steel, 4T40E Reverse Clutch .088" (30 Teeth) 1995-Up	3	
B130	41827	Steel, 4T40E Reverse Clutch .088" (30 Teeth)(Turbulator) 1998-Up	3	
B131	41827A	Steel, 4T40E Reverse Clutch .043" (8 Teeth)(Waved) 1995-Up	1	
B132	41829	Steel, 4T40E Coast Clutch .069" (12 Teeth) 1995-Up	4	8685874
139	41881	Steel Module, 4T40E 1995-Up	1	

ILLUS. #	PART #	FILTER	QTY.	REFERENCE #
E010	41840	Filter, 4T40E 1995-Up	1	24203770

ILLUS. #	PART #	FILTER KIT	QTY.	REFERENCE #
011	41841A	Filter Kit, 4T40E (W/Bonded Rubber Pan Gasket) 1995-Up	1	

ILLUS. #	PART #	MISCELLANEOUS FILTERS	QTY.	REFERENCE #
	41865077	Screen Actuator Filter	1	8685022

ILLUS. #	PART #	BANDS	QTY.	REFERENCE #
B022	41890	Band, 4T40E Intermediate/4th 1995-Up	1	8684403
D024	41993	Band, 4T40E Low/Reverse 1995-Up	1	2421336

ILLUS. #	PART #	BUSHINGS	QTY.	REFERENCE #
030	41830	Bushing Kit, 4T40E 1995-Up	1	
A032	33317	Bushing, 4T40E Converter Reactor (Front) 1995-Up	1	8628915
A045	41833B	Bushing, 4T40E Driven Sprocket Support (Rear) 1995-Up	1	
B046	41836	Bushing, 4T40E Direct/Coast Clutch Drum (Front) 1995-Up	1	
B047	41836A	Bushing, 4T40E Direct/Coast Clutch Drum (Rear) 1995-Up	1	
D048	41832	Bushing, 4T40E Forward Drum (Front, Small One) 1995-Up	1	
D048B	41832A	Bushing, 4T40E Forward Drum (Rear, Large One) 1995-Up	1	
C050	41832B	Bushing, 4T40E Forward Clutch Hub 1995-Up	1	
C051	41833	Bushing, 4T40E Reaction Carrier Shell (Front) 1995-Up	1	
C056	41833A	Bushing, 4T40E Reaction Carrier Shell (Rear) 1995-Up	1	
D060	33322	Bushing, 4T40E Case 1995-Up	1	
B060	41835	Bushing, 4T40E Reverse Input Drum (Front) 1995-Up	1	
B060B	41835A	Bushing, 4T40E Reverse Input Drum (Rear) 1995-Up	1	
D062	41837	Bushing, 4T40E Final Drive Sun Gear Shaft (Front) 1995-Up	1	

ILLUS. #	PART #	ELECTRICAL COMPONENTS	QTY.	REFERENCE #
A421	D84955	Solenoid, 4T40E 1-2 Shift 1995-Up (Also 2-3 Shift)	1-2	24207236
A422	D33955	Solenoid, 4T40E 2-3 Shift 1995-Up (Use D84955)	1	24207236
A425	D33946	Solenoid, 4T40E Pressure Control (EPC) 1995-02	1	10478146
D438	D33826	Sensor, 4T40E Vehicle Speed 1995-Up	1	24207507
A442	D33943	Switch, 4T40E Manifold Pressure 1995-03	1	24222079

4T40E / 4T45E

FWD 4 Speed

General Motors

ILLUS. #	PART #	HARD PARTS	QTY.	REFERENCE #
.....	310	Piston Set, 4T40E (Bonded) 1995-Up	1
A962	41851	Piston, 4T40E 2nd Clutch (Bonded) 1995-Up	1	24205042
D964	41853A	Piston, 4T40E Forward Clutch (Inner)(Bonded)(Not Reusable if Taken Out) 1995-Up	1	24205038
D964B	41853	Piston, 4T40E Forward Clutch (Outer)(Bonded) 1995-Up	1	24208641
C965	41854	Piston, 4T40E Direct Clutch (Outer)(Bonded) 1995-Up	1	24205044
B966	41852	Piston, 4T40E Reverse Clutch (Outer)(Bonded) 1995-Up	1	24205040
B969	41850	Piston, 4T40E Coast Clutch (Inner)(Bonded) 1995-Up	1	24205043
ILLUS. #	PART #	MISCELLANEOUS COMPONENTS	QTY.	REFERENCE #
A996	41875172	Seal Cooler Fitting	2	24200326

