

GLF iprotect® Series

Size 2 & 3 Tanktop Mounted Return Line Filters

Max. 800 l/min - 10 bar



ENGINEERING YOUR SUCCESS.

GLF iprotect® Series

Size 2 & 3 Tanktop Mounted Return Line Filters

A compact, cost effective low pressure filter solution

Designed with the iprotect® patented filtration technology.

The Parker GLF iprotect® is designed to provide high quality filtration to hydraulic systems, providing new possibilities to reduce the cost of ownership by improving the productivity and profitability.

The patented design of the filter element ensures the quality of filtration is secured.

Parker has taken on board the requirements to provide more compact solutions. The total space envelope is minimized due to the compact design of the filter and short element clearance. Which makes it easier to fit and maintain within every application.

Contaminated oil can not leak back during service maintenance due to the proven in-to-out filter principle.



Product Features

- Guaranteed quality of filtration
- No recontamination of the system during the change of the element
- Reduce energy consumption by filter head
- In-Tank mounted solutions are possible
- Maximum performance with less weight and smaller envelope needed
- Reduce service time for the filter with 50%
- Unique OEM branding is possible on request

Typical Applications

- Deck and Mobile cranes
- Fire fighting equipment
- Forwarders
- Hydraulic presses
- Power packs
- Reachstackers
- Waste management, dump and fork lift trucks
- Drilling equipment
- Excavators
- Harvesters
- Industrial Power units
- Waste balers
- Wheeled loaders

GLF iprotect® Series

Size 2 & 3 Tanktop Mounted Return Line Filters

Features	Advantages	Benefits
Patented iprotect® filter element	Avoid use of non-genuine parts	Guaranteed quality of filtration
In-to-out filtration	All captured contamination retains inside the element	No recontamination of system during the change of the element
10 bar rated filter	Filter can be utilised for severe return line applications	Reduce downtime due to premature filter failures
Diffuser option (Air tight)	Ensure oil entry below oil level in reservoir	Significant reduction of oil foaming / air entrapment
Magnetic pre-filtration	Removes ferrous particles, even during bypass condition	Improve fluid cleanliness level and extend element life time
Tank In build option	Filter components are protected by reservoir	Suitable for extreme heavy duty applications or hazardous environment
Compact element construction	Compact and lightweight design	Maximum performance with less weight and smaller envelop needed
Service friendly product design	Easy servicing by simple element change	Reduce service time for filter over 50%

The Parker Filtration GLF iprotect® Series Tanktop Mounted Return Line Filters.

By offering a flow range upto 800 l/min with different porting configurations the GLF Series can be used in a wide variety of applications. The filters are featured with magnetic pre-filtration by means of a magnet column.



Specifications

Operating pressure:

Max. 10 bar.

Assembly:

Tanktop mounted

Connections:

Threaded BSP and flanged SAE single ports
(or dual ports on request, both ports are the same size)

Filter housing:

Aluminium head
Aluminium / reinforced polyamide cover

Seal material:

Nitrile (or Fluoroelastomer on request)

Operating temperature range:

Seal material Nitrile: -40° to +100°C.

Bypass setting

Opening pressure 1.7 (or 3.5 bar)

Filter element:

Degree of filtration determined by multipass test according to (ISO 16889)

Flow fatigue characteristics:

Filter media is supported so that the optimum fatigue life is achieved. (ISO 3724)

Element burst rating:

10 bar (ISO 2941)

Element configuration:

Quantumfiber™ filter media
Metal outer support core
Reinforced polyamide end caps
Reinforced polyamide bypass cartridge

Pressure indicator:

Please order separately (see ordering information)
Visual pressure gauge with setting 1.2 (or 2.5 bar)
Electrical pressure switches with setting 1.2 (or 2.5 bar)

Options:

Funnel for recommended oil entry below oil level in reservoir
Magnet pack for ferrous particle removal

Other options available on request:

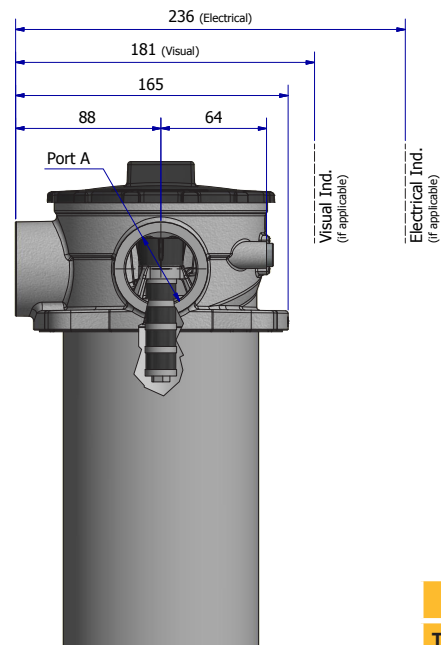
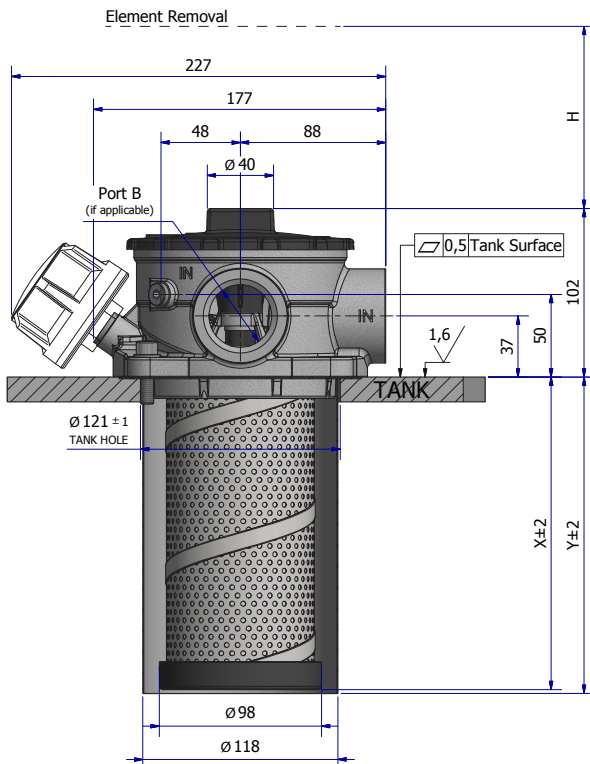
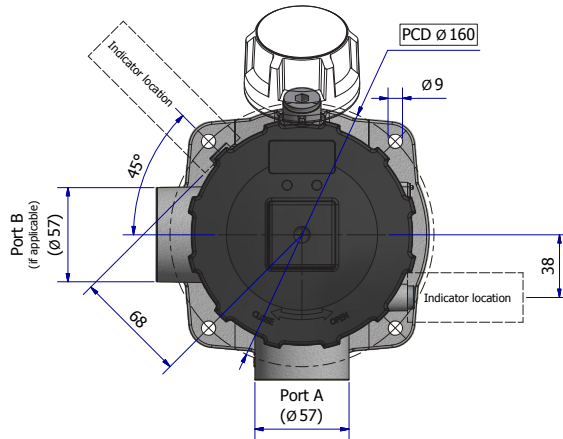
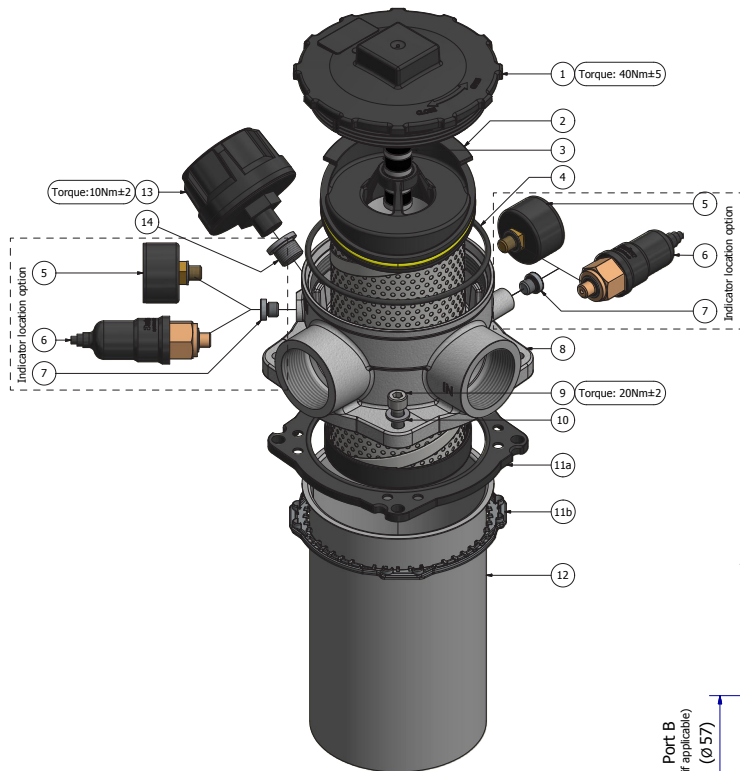
Filled port in cover GLF3, G 3/4" plugged
ATEX certification
Air breather GLF2.
(Order separately, see ordering information)
Customer branded element

GLF iprotect® Series

Size 2 & 3 Tanktop Mounted Return Line Filters

GLF - Size 2 Technical information

PARTS LIST		
ITEM	QTY	DESCRIPTION
1	1	COVER
2	1	ELEMENT
3	1	MAGNET COLUMN
4	1	O-RING
5	1	PRESSURE GAUGE (Optional)
6	1	PRESSURE SWITCH (Optional)
7	2	COLLARPLUG G1/8 INCL SEAL (Standard)
8	1	FILTER HEAD
9	4	HEX SOCKET M8 (Not supplied)
10	4	WASHER M8 (Not supplied)
11a	1	GASKET
11b	1	SEAL SUPPORT RING
12	1	FUNNEL
13	1	AIR BREATHER (Optional)
14	1	PLUG G3/8 INCL SEAL (Standard)

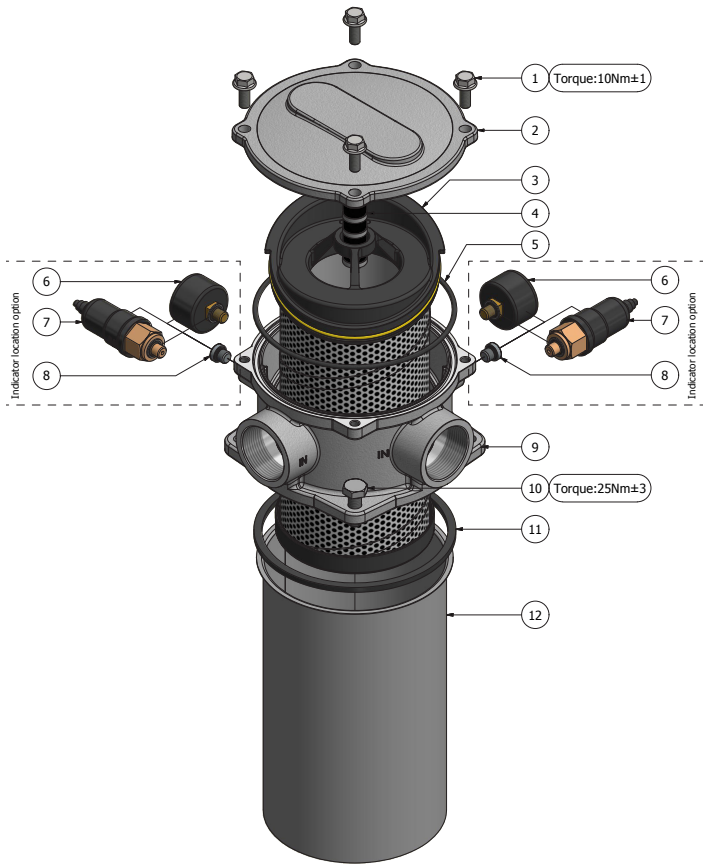


DIMENSION			
TYPE	X	Y	H
GLF21	189	192	169
GLF22	288	291	268

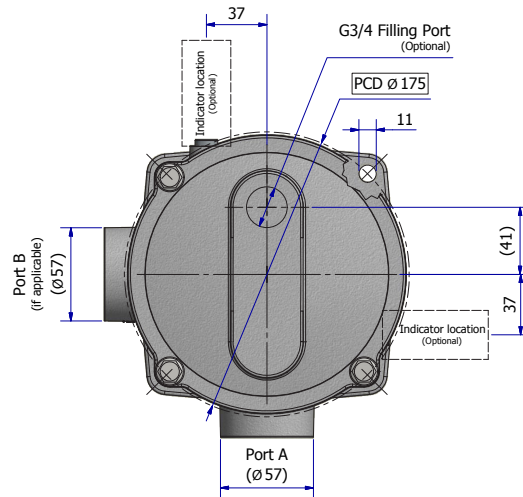
GLF iprotect® Series

Size 2 & 3 Tanktop Mounted Return Line Filters

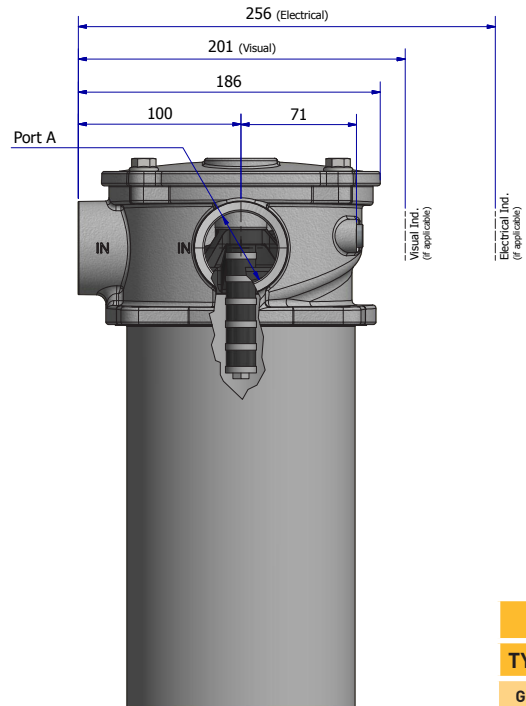
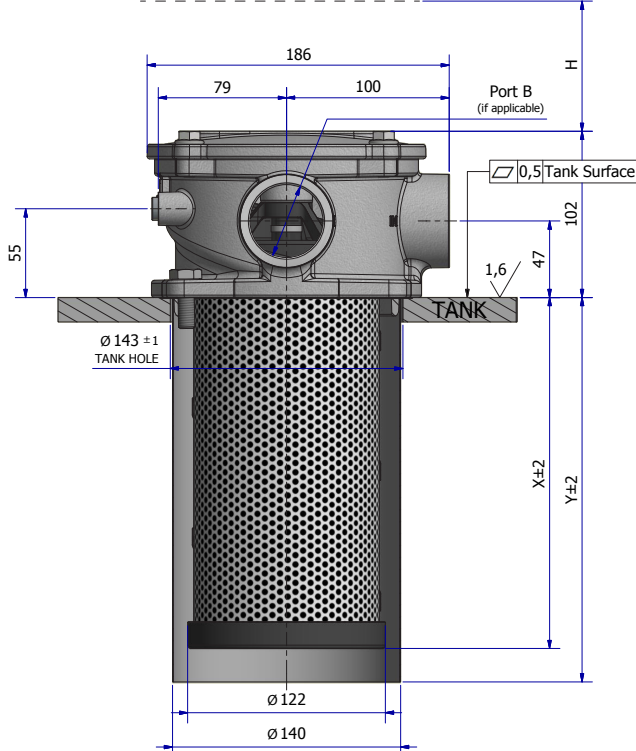
GLF - Size 3 Technical information



PARTS LIST		
ITEM	QTY	DESCRIPTION
1	4	BOLT HEX M8x20 ST8.8 Z FLANGED DIN6921
2	1	COVER
3	1	ELEMENT
4	1	MAGNET COLUMN
5	1	O-RING
6	1	PRESSURE GAUGE (Optional)
7	1	PRESSURE SWITCH (Optional)
8	2	COLLARPLUG G1/8 INCL SEAL (Standard)
9	1	FILTER HEAD
10	4	BOLT M10 (Not supplied)
11	1	GASKET
12	1	FUNNEL



Element Removal

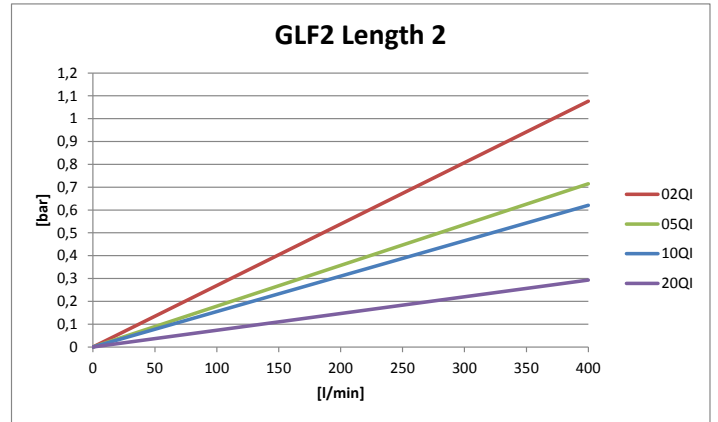
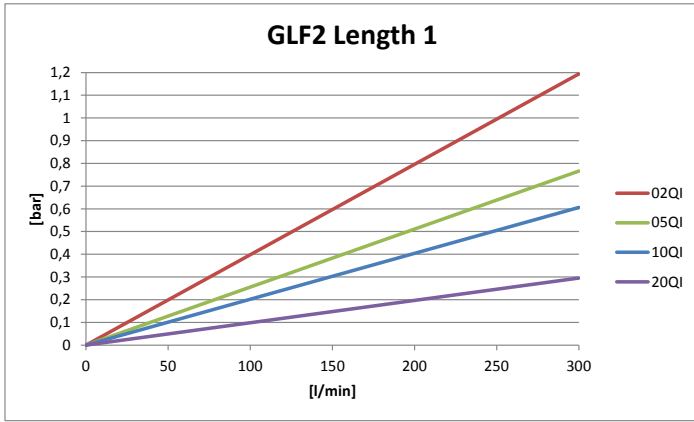


DIMENSION			
TYPE	X	Y	H
GLF31	216	236	240
GLF32	275	295	380
GLF33	373	393	480

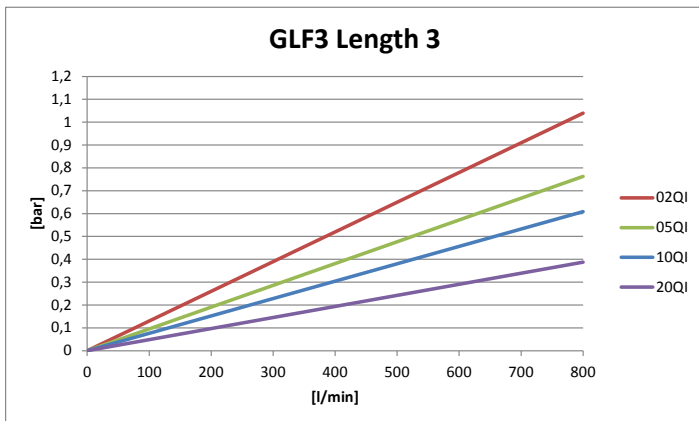
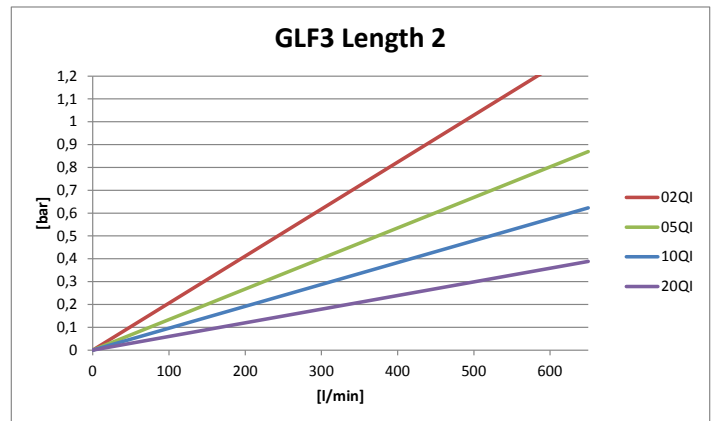
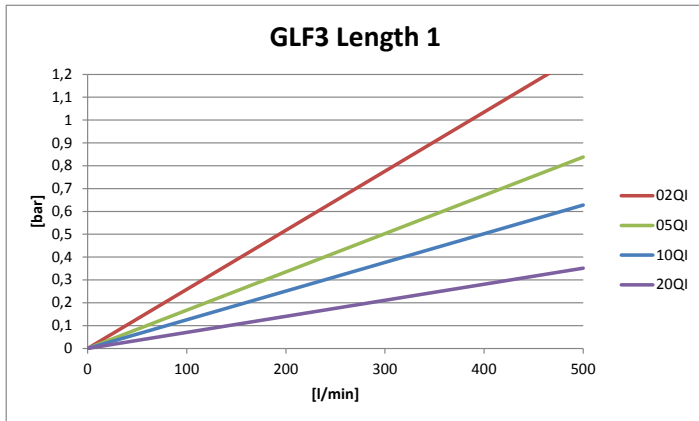
GLF *iprotect*[®] Series

Size 2 & 3 Tanktop Mounted Return Line Filters

GLF - Size 2 Pressure Drop Curves



GLF - Size 3 Pressure Drop Curves



• Pressure drop curves based on 30 cSt

GLF iprotect® Series

Size 2 & 3 Tanktop Mounted Return Line Filters

Ordering information

Box 1	Box 2	Box 3	Box 4	Box 5	Box 6	Box 7	Box 8
GLF2	2	10QI	B	P2	G	G20	MF

Box 1

Filter size	Tanktop Code
Size 2 (upto 400 l/min)	GLF2
Size 3 (upto 800 l/min)	GLF3

Box 2

Filter Length	Code
Length 1	1
Length 2	2
Length 3 (GLF3 only)	3

Box 3

Degree of Filtration						
Average filtration ratio β (ISO 16889) / particle size $\mu\text{m(c)}$						Media
2	10	75	100	200	1000	Code
N/A	N/A	N/A	N/A	4	4,5	02QI
N/A	N/A	4,5	5	6	7	05QI
N/A	5	7,5	8	9	11	10QI
5	9	15	16	18	21	20QI

Box 4

Seal Material	Code
Nitrile	B

• Availability of other Seal types (like Fluoroelastomer) on request.

Box 5

Indicator Type	Code
Both Indicator Ports plugged	P2

• Indicators are available separately; See the Spare Indicators table

Box 6

Bypass and Indicator Setting	indicator	Code
1.7 bar	1.2 bar	G

• Availability of other settings (like a 3,5 bar Bypass / 2.5 bar Indicator) on request

Box 7

Filter Connections		
Connections	GLF2 Code	GLF3 Code
G1 thread - Single Port	G16	
G1¼ thread - Single Port	G20	G20
G1½ thread - Single Port	G24	G24
SAE 2"-3000M Flange - Single Port		R32

• Availability of other Connctions (like Dual Ports) on request

Box 8

Options	Code
No options	N
Magnet column	M
Funnel	F
Magnet column & Funnel	MF

• An air breather for the GLF2 is available separately; See the Spare Parts table
• Availability of other options (like ATEX) on request

Nominal flow (l/min) at viscosity 30cSt

Filter model	02QI	05QI	10QI	20QI
GLF2 Length 1	125	175	250	300
GLF2 Length 2	175	265	350	400
GLF3 Length 1	200	285	450	500
GLF3 Length 2	250	375	600	650
GLF3 Length 3	375	500	750	800

Highlights Key (denotes part number availability)	Code
Item is standard	123
Item is non-standard	123

GLF iprotect® Series

Size 2 & 3 Tanktop Mounted Return Line Filters

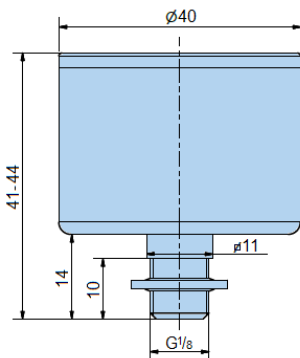
Ordering information Elements and Spare Parts

Spare Parts	
Description	Part Number
SEAL KIT GLF2 NITRILE	GLFSK200
SEAL KIT GLF2 FLUOROELASTOMER	GLFSK201
SEAL KIT GLF3 NITRILE	GLFSK300
SEAL KIT GLF3 FLUOROELASTOMER	GLFSK301
AIR BREATHER SAB.5101 (GLF2 only)	AB685101

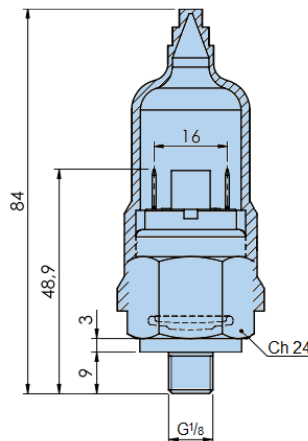
Spare Elements (Nitrile)			
		Bypass 1.7 bar	Bypass 3.5 bar
Model	Media	Part Number	Part Number
GLF2 Length 1	02QI	944846Q	944854Q
	05QI	944848Q	944856Q
	10QI	944850Q	944858Q
	20QI	944852Q	944860Q
GLF2 Length 2	02QI	944847Q	944855Q
	05QI	944849Q	944857Q
	10QI	944851Q	944859Q
	20QI	944853Q	944861Q
GLF3 Length 1	02QI	944862Q	944874Q
	05QI	944865Q	944877Q
	10QI	944868Q	944880Q
	20QI	944871Q	944883Q
GLF3 Length 2	02QI	944863Q	944875Q
	05QI	944866Q	944878Q
	10QI	944869Q	944881Q
	20QI	944872Q	944884Q
GLF 3 Length 3	02QI	944864Q	944876Q
	05QI	944867Q	944879Q
	10QI	944870Q	944882Q
	20QI	944873Q	944885Q

Spare Indicators		
Model	1.2 bar setting Part Number	2.5 bar setting Part Number
G2 - Pressure Gauge	FMUG2EBPG02L	FMUG2JBPG02L
S1 - Pressure Switch 48V N.O.	LPSS1EBG02MRP1	LPSS1JBG02MRP1
S2 - Pressure Switch 48V N.C.	LPSS2EBG02MRP1	LPSS2JBG02MRP1
S6 - Pressure Switch 250V SPDT	LPSS6EBG02APCR1	LPSS6JBG02APCR1

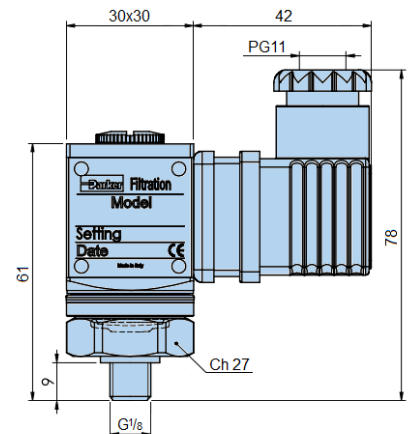
G2 - Pressure Gauge



S1/S2 - Pressure Switch



S6 - Pressure Switch



Parker Worldwide

Europe, Middle East, Africa

AE – United Arab Emirates, Dubai

Tel: +971 4 8127100
parker.me@parker.com

AT – Austria, Wiener Neustadt

Tel: +43 (0)2622 23501-0
parker.austria@parker.com

AT – Eastern Europe, Wiener Neustadt

Tel: +43 (0)2622 23501 900
parker.easteurope@parker.com

AZ – Azerbaijan, Baku

Tel: +994 50 2233 458
parker.azerbaijan@parker.com

BE/LU – Belgium, Nivelles

Tel: +32 (0)67 280 900
parker.belgium@parker.com

BG – Bulgaria, Sofia

Tel: +359 2 980 1344
parker.bulgaria@parker.com

BY – Belarus, Minsk

Tel: +48 (0)22 573 24 00
parker.poland@parker.com

CH – Switzerland, Etoy

Tel: +41 (0)21 821 87 00
parker.switzerland@parker.com

CZ – Czech Republic, Klecany

Tel: +420 284 083 111
parker.czechrepublic@parker.com

DE – Germany, Kaarst

Tel: +49 (0)2131 4016 0
parker.germany@parker.com

DK – Denmark, Ballerup

Tel: +45 43 56 04 00
parker.denmark@parker.com

ES – Spain, Madrid

Tel: +34 902 330 001
parker.spain@parker.com

FI – Finland, Vantaa

Tel: +358 (0)20 753 2500
parker.finland@parker.com

FR – France, Contamine s/Arve

Tel: +33 (0)4 50 25 80 25
parker.france@parker.com

GR – Greece, Athens

Tel: +30 210 933 6450
parker.greece@parker.com

HU – Hungary, Budaörs

Tel: +36 23 885 470
parker.hungary@parker.com

IE – Ireland, Dublin

Tel: +353 (0)1 466 6370
parker.ireland@parker.com

IL – Israel

Tel: +39 02 45 19 21
parker.israel@parker.com

IT – Italy, Corsico (MI)

Tel: +39 02 45 19 21
parker.italy@parker.com

KZ – Kazakhstan, Almaty

Tel: +7 7273 561 000
parker.easteurope@parker.com

NL – The Netherlands, Oldenzaal

Tel: +31 (0)541 585 000
parker.nl@parker.com

NO – Norway, Asker

Tel: +47 66 75 34 00
parker.norway@parker.com

PL – Poland, Warsaw

Tel: +48 (0)22 573 24 00
parker.poland@parker.com

PT – Portugal

Tel: +351 22 999 7360
parker.portugal@parker.com

RO – Romania, Bucharest

Tel: +40 21 252 1382
parker.romania@parker.com

RU – Russia, Moscow

Tel: +7 495 645-2156
parker.russia@parker.com

SE – Sweden, Spånga

Tel: +46 (0)8 59 79 50 00
parker.sweden@parker.com

SK – Slovakia, Banská Bystrica

Tel: +421 484 162 252
parker.slovakia@parker.com

SL – Slovenia, Novo Mesto

Tel: +386 7 337 6650
parker.slovenia@parker.com

TR – Turkey, Istanbul

Tel: +90 216 4997081
parker.turkey@parker.com

UA – Ukraine, Kiev

Tel: +48 (0)22 573 24 00
parker.poland@parker.com

UK – United Kingdom, Warwick

Tel: +44 (0)1926 317 878
parker.uk@parker.com

ZA – South Africa, Kempton Park

Tel: +27 (0)11 961 0700
parker.southafrica@parker.com

North America

CA – Canada, Milton, Ontario

Tel: +1 905 693 3000

US – USA, Cleveland

Tel: +1 216 896 3000

Asia Pacific

AU – Australia, Castle Hill

Tel: +61 (0)2-9634 7777

CN – China, Shanghai

Tel: +86 21 2899 5000

HK – Hong Kong

Tel: +852 2428 8008

IN – India, Mumbai

Tel: +91 22 6513 7081-85

JP – Japan, Tokyo

Tel: +81 (0)3 6408 3901

KR – South Korea, Seoul

Tel: +82 2 559 0400

MY – Malaysia, Shah Alam

Tel: +60 3 7849 0800

NZ – New Zealand, Mt Wellington

Tel: +64 9 574 1744

SG – Singapore

Tel: +65 6887 6300

TH – Thailand, Bangkok

Tel: +662 186 7000

TW – Taiwan, Taipei

Tel: +886 2 2298 8987

South America

AR – Argentina, Buenos Aires

Tel: +54 3327 44 4129

BR – Brazil, Sao Jose dos Campos

Tel: +55 800 727 5374

CL – Chile, Santiago

Tel: +56 2 623 1216

MX – Mexico, Toluca

Tel: +52 72 2275 4200



Parker Hannifin

Hydraulic Filter Division EMEA
Email: filtrationinfo@parker.com
www.parker.com/hfde

ENGINEERING YOUR SUCCESS.