

# GP Gauge Protector

## Product Overview

The PFA Gauge Protectors are designed for use in high purity semiconductor applications, and are also ideally suited for use in ultra-pure water and aggressive chemicals. They protect sensitive gauges from corrosive chemicals and are offered with or without a gauge. They can be fitted with factory supplied gauges and can also be fitted with customer specified or customer supplied gauges upon request.

## Features

One piece precision machined diaphragm manufactured from the latest technology modified PTFE, provides over five times the flexural life as compared to conventional PTFE.

PTFE and PFA wetted surfaces.

Tongue and groove diaphragm to body seal.

Suitable for pressure, vacuum, and dual range operation.

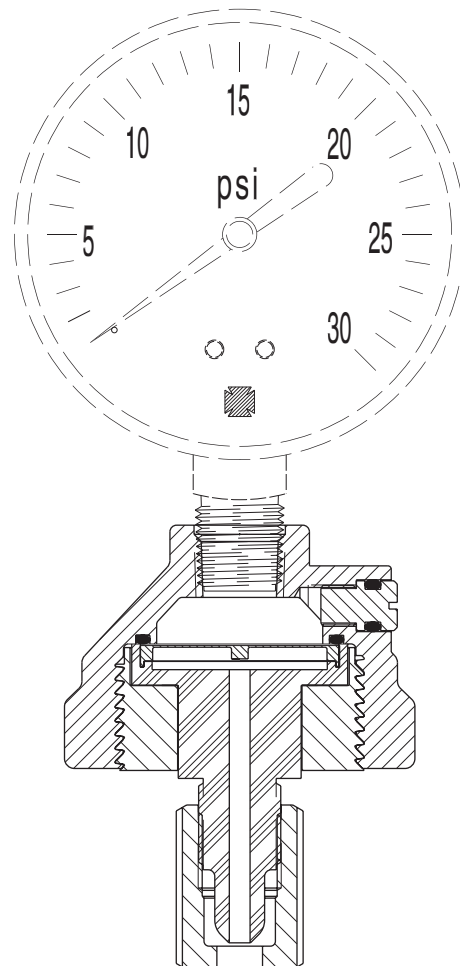
## Benefits

Higher cycle life resulting in less downtime and lower replacement costs.

Eliminates contamination and fluid compatibility issues.

Assures barrier between operating fluid and isolation media.

Reduces number of device installations for varying pressure ranges.



## Specifications

Materials of Construction:

Wetted Surfaces - PFA, Modified PTFE  
External Surfaces - PFA, PVDF, EPR (Fill screw seal)

Pressure Range:

27" Hg vacuum (913 mbar) to 160 PSIG (11 bar)

Pressure ranges above are for operation at ambient temperature. For use at higher temperatures consult Pressure/Temperature chart on page 3.

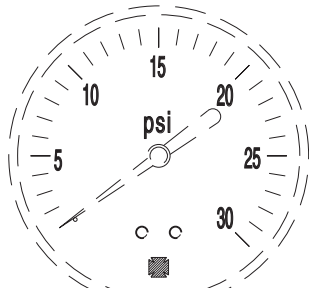
Temperature Ranges:

0° - 212° F (-17° - 100° C) Ambient

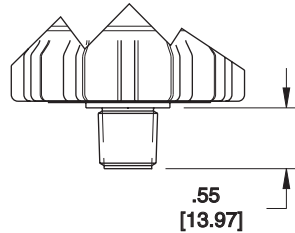
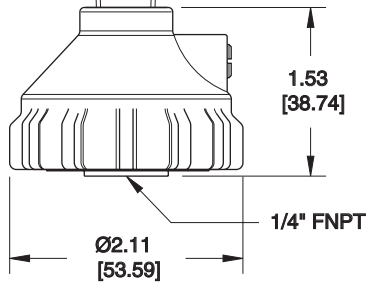
0° - 400° F (-17° - 204° C) Fluid

# GP Gauge Protector

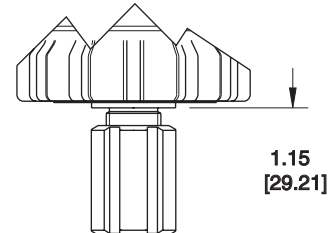
BRACKETED DIMENSIONS  
ARE IN mm.



GAUGE PORT CONNECTIONS ARE 1/4-18 FNPT



1/4" MNPT



1/4" PARFLARE

Model Number	Process Port Configuration	Gauge Pressure (PSIG)	Model Number	Process Port Configuration	Gauge Pressure (PSIG)-XX
GP-130-00	1/4" FNPT	NONE	GP-131-XX	1/4" FNPT	01 = 0-30 PSIG 02 = 0-60 PSIG 03 = 0-160 PSIG
GP-530-00	1/4" MNPT		GP-531-XX	1/4" MNPT	
GP-630-00	1/4" Parflare		GP-631-XX	1/4" Parflare	

Above Parflare models are supplied with PVDF nuts. For PFA nuts add -T to model number. Please consult factory for special and custom configurations.

**Isolation Fluid:** 50/50 mix of deionized water and isopropyl alcohol (Standard unless otherwise specified.)

**Factory Gauge:** 2-1/2" dial

- Brass movement
- Painted steel case
- Glass lens
- 1/4" MNPT lower mount