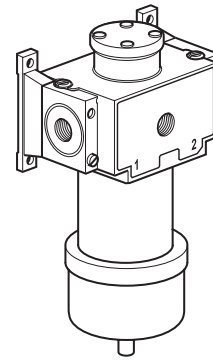


Reclassifier - Silencers

- Removes oil mist from exhaust airs
- Efficiently silences exhaust air
- Easily replaceable element
- Up to 6 exhaust lines
- Gauge measurement of element efficiency
- Modular design



Operating and additional information

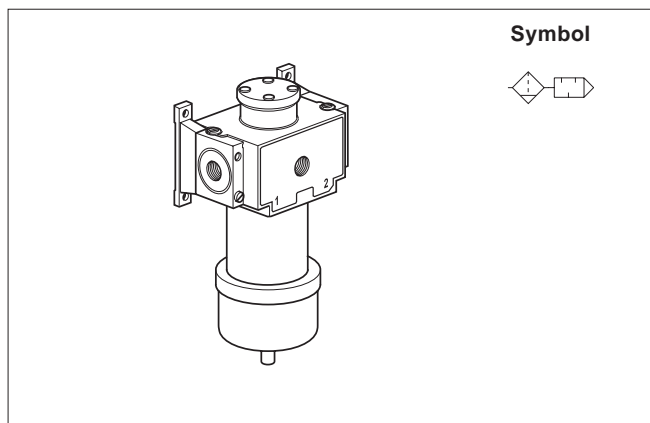
Plastic Working temperature: -0°C to +66°C
Efficiency >99%

Flow rate Max 30/s

The Collectair enables the collection of all the exhaust lines in a system to be routed through a filter element which efficiently removes solid particles and oil vapours. It also silences the exhausting air to approximately 25 dBa. A special gauge shows the level of filter contamination by measuring the over pressure in the element.

Available with either G1/4 , G3/8, G1/2 or G3/4 modular port blocks, the top face of the unit also features 4 rubber grommets for push-in connection of Ø4 mm to Ø10 mm flexible tubing.

Collectair Series, complete units



Note: To connect units in series order a complete unit plus one body connector per additional unit.
Body connector Part No **P3E-KA00CBN**

Port thread	A	A1	B	B1
G1/4	102	185	252	202
G3/8	102	185	252	202
G1/2	102	185	252	202
G3/4	102	185	252	202

C	C1	C2	Weight kg	Order code
91	116	117	1,200	P6R-CB12B*
91	116	117	1,200	P6R-CB13B*
91	116	117	1,200	P6R-CB14B*
91	116	117	1,200	P6R-CB16B*

*Supplied complete with port blocks, wall mounting bracket and pressure gauge to indicate condition

Collectair Series, basic modules

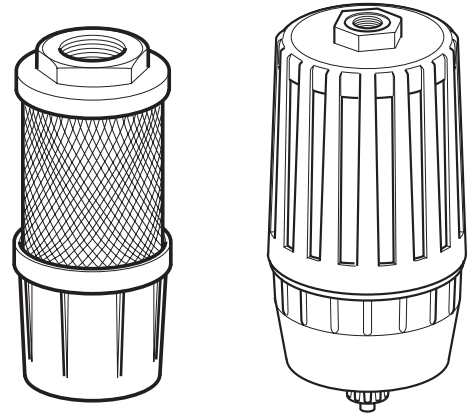
Supplied complete less port blocks, wall brackets and pressure gauge.

Port size	Type of Reclassifier	Weight kg	Order code
None	Collectair	1,076	P6R-CA00N
None	Replacement filter cartridge	0,122	P6R-CK00E

Exhaust silencers

Reclassifier - Silencers Metal Series, Repairable and Disposable versions

- Removes oil mist from exhaust airs
- Efficiently silences exhaust air
- Improves working conditions



Operating and additional information

Metal repairable version

Working temperature	0 °C to 66 °C max.
Working pressure	Max 7 bar
Efficiency	Better than 99%
Maximum flow rate	G1/2, G3/4 small unit 27,8 l/s G3/4, G1 large unit 50 l/s

Disposable version

Working temperature	0° C to 52 °C max.
Working pressure	Max 7 bar
Efficiency	Better than 99%
Maximum flow rate	See graph

Disposable version Flow vs. Noise level

Noise level
[dBa]

1" open pipe 1/2" open pipe

Flow vs. Back pressure

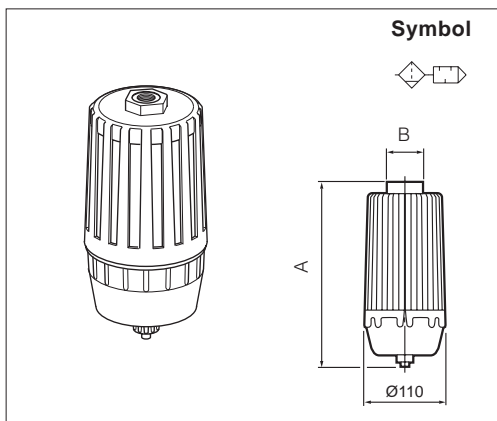
Back pressure
[bar]

Flow
[l/s]

Back pressure
Back pressure

Flow
[l/s]

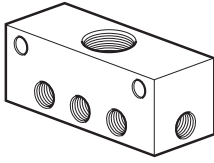
Metal Repairable Series



Port thread	Type	A	Ø	A/F B	Weight kg	Order code
G1/2	Small	182	110	50	0,572	3514S
G3/4	Small	182	110	50	0,592	3516S
G3/4	Large	297	110	55	1,100	3516
G1	Large	297	110	55	1,100	3518

Replacement Element	Weight kg	Order code
Small	0,200	3514S-2
Large	0,200	3516-2

Manifold for Metal Repairable version



The manifold is available for G3/4 sizes only.
For other sizes consult Technical Sales Dep't.

No ports	Weight kg	Order code
5	0,270	M3516-5
7	0,432	M3516-7
9	0,574	M3516-9
11	0,722	M3516-11
13	0,870	M3516-13
Wall mounting kit	0,040	3516-W

Disposable version



Symbol

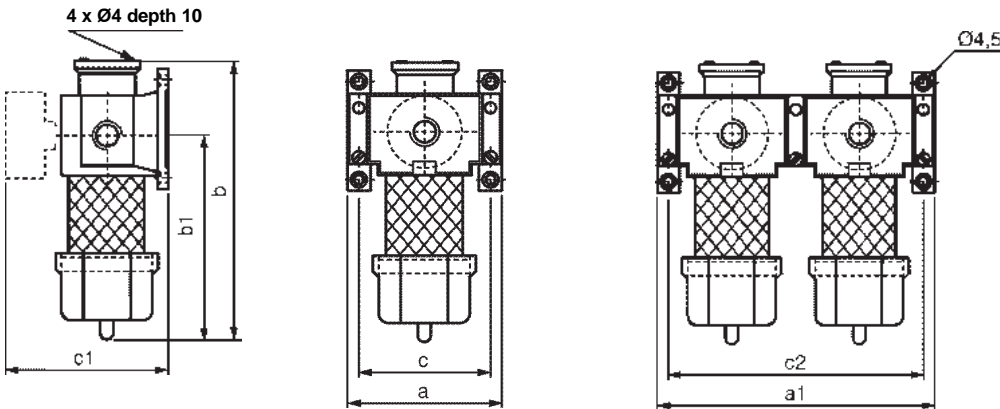


Port size	Weight kg	Order code
G1/2	0,104	ECSB2
G3/4	0,134	ECSB4

Exhaust Silencers

Dimensions, Collectairs

All dimensions in mm unless otherwise stated



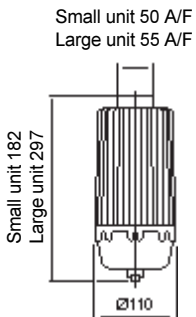
Type	a	a1	b	b1	c	c1	c2
P6R-CB12B	102	185	252	202	91	116	177
P6R-CB13B	102	185	252	202	91	116	177
P6R-CB14B	102	185	252	202	91	116	177
P6R-CB16B	102	185	252	202	91	116	177

Dimensions, Reclassifier/Silencer

All dimensions in mm unless otherwise stated

Reclassifier/Silencer

Type	Port size	Reclassifier type
3514S	G1/2	Small
3516S	G3/4	Small
3516	G3/4	Large
3518	G1	Large



Manifold

Type	A	B	C	No of ports on face "D"	Total no. of ports
M3516-5	89	45	70	3	5
M3516-7	133	67	114	5	7
M3516-9	178	89	159	7	9
M3516-11	222	111	203	9	11
M3516-13	267	133	248	11	13

