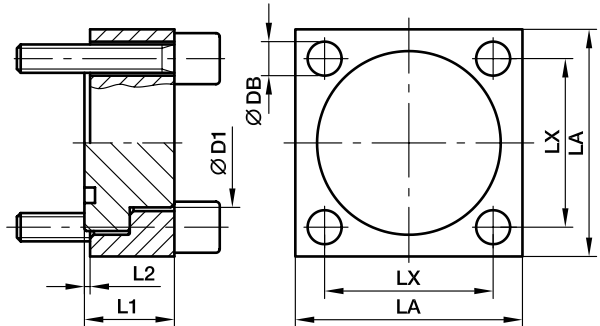


PPCF Cetop square flange plug

Cetop square flange / Plug


250 bar Series

Nom. flange size		D1	L1	L2	LA	LX	Screws (metr.)	O-ring	Weight (steel) kg/piece	Order code*	PN (bar) ¹⁾
Series ²⁾	(in)										S
L	3/8	18.0	15	1.0	40	24.7	M 6×25	17.3×2.62	0.09	PPCF38/L/18	250
L	1/2	24.0	16	1.0	45	29.7	M 8×30	18.64×3.53	0.11	PPCF12/L/24	250
L	3/4	31.5	17	1.0	50	35.3	M 8×30	24.99×3.53	0.16	PPCF34/L/31.5	250
L	1	38.0	19	1.0	65	43.8	M10×35	32.93×3.53	0.32	PPCF1/L/38	250
L	1 1/4	43.0	23	1.0	75	51.6	M12×40	37.89×3.53	0.46	PPCF114/L/43	250
L	1 1/2	50.0	26	1.0	85	60.0	M14×45	47.22×3.53	0.67	PPCF112/L/50	250
L	2	62.0	31	1.5	100	69.4	M16×55	56.74×3.53	1.15	PPCF2/L/62	250
L	2 1/2	76.0	37	1.5	120	83.4	M20×70	69.44×3.53	2.00	PPCF212/L/76	250
L	3	90.0	42	1.5	140	102.5	M20×80	85.32×3.53	3.02	PPCF3/L/90	250
L	3 1/2	102.0	54	1.5	140	102.5	M20×90	85.09×5.35	3.78	PPCF312/L/102	250
L	4	114.0	62	1.5	160	113.2	M24×100	97.79×5.34	5.48	PPCF4/L/114	250
L	5	141.0	62	1.5	180	132.0	M27×100	120.7×5.34	6.48	PPCF5/L/141	250

400 bar Series

S	3/8	18.0	17	1.0	40	24.7	M 6×25	17.3×2.62	0.10	PPCF38/S/18	400
S	1/2	24.0	19	1.0	45	29.7	M 8×30	18.64×3.53	0.16	PPCF12/S/24	400
S	3/4	32.0	21	1.0	50	35.3	M 8×35	24.99×3.53	0.23	PPCF34/S/32	400
S	1	38.0	25	1.0	65	43.8	M10×40	32.93×3.53	0.42	PPCF1/S/38	400
S	1 1/4	44.0	31	1.0	75	51.6	M12×50	37.89×3.53	0.60	PPCF114/S/44	400
S	1 1/2	51.0	33	1.0	85	60.0	M14×55	47.22×3.53	0.90	PPCF112/S/51	400
S	2	67.0	42	1.5	100	69.4	M16×65	56.74×3.53	1.54	PPCF2/S/67	400
S	2 1/2	80.0	48	1.5	120	83.4	M20×70	69.22×5.34	2.57	PPCF212/S/80	400
S	3	90.0	54	1.5	140	102.5	M20×90	75.57×5.34	3.67	PPCF3/S/90	400
S	3 1/2	102.0	54	1.5	140	102.5	M20×90	85.09×5.34	4.05	PPCF312/S/102	400
S	4	114.0	62	1.5	160	113.2	M24×100	88.27×5.34	6.38	PPCF4/S/114	400

¹⁾ Pressure shown = item deliverable

²⁾ L = light series; S = heavy series

$$\frac{\text{PN (bar)}}{10} = \text{PN (MPa)}$$

*Please add the suffixes below according to the material / surface required.

Order code suffixes			
Material	Suffix surface and material	Example flange plug incl. flange clamp, metr. screws and O-ring	Standard sealing material (no additional suffix needed)
Steel, blanc oil dipped	S	PPCF38/L/18S	NBR