

Ball Valves

1/4" to 2", 2-Way

1/4" to 1", 2-Way Vented

Plug Valves

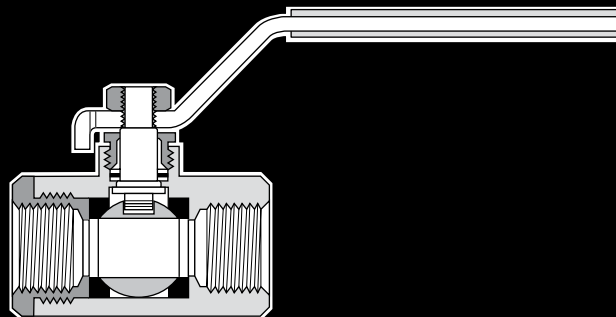
1/8" to 1/4" Pipe Size

Section AA

www.parker.com/pneu/ball



[Ball Valve Basic Features..... 2](#)
[Ball Valve Part Numbers & Dimensions 3-4](#)
[Plug Valve Basic Features..... 5](#)
[Plug Valve Part Numbers & Dimensions 6](#)



Brass Ball Valves Series 500

Advantages

Parker's forged body ball valve provides extended service life and resists failure caused by severe temperature applications. Optimum flow design assures maximum system efficiency. Highly inert PTFE seats and seals provide resistance to chemical corrosion. Parker also provides a blow-out proof stem, chrome plated brass ball and a specially designed handle enabling increased turning leverage for ease of opening and closing. Parker's ball valve can be readily identified assuring high quality engineering and reliability. This economical ball valve is available in female pipe sizes. Parker's ball valve bodies are machined from high quality CA 377 forgings.

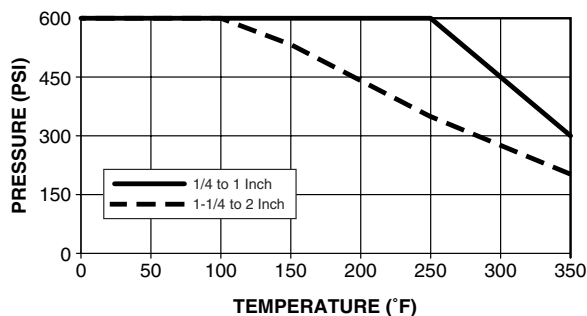
Applications

Parker's industrial ball valve product line is intended for general purpose use. Please be aware that ball valves are intended for use in the fully open or closed positions. Depending on application conditions, throttling of the valve may result in premature seal failure and/or inability to turn the valve handle.

For use as fuel line shutoffs for gasoline and diesel powered over the highway, off highway, and construction equipment vehicles. Water and air service lines on capital equipment and plant design plumbing that require total shutoff capability.

Working Pressure and Temperature

Saturated steam service up to 150 PSI and 400°F
 Vacuum, 29 Inches of Mercury
 Vented up to 250 PSI



Operating Instructions

Quarter turn is "ON" or "OFF".
 (Provides positive stop action for full shutoff.)

NOTE: PERIODICALLY CHECK THE ADJUSTABLE PACKING NUT AND TIGHTEN AS REQUIRED.

Style	Type	Material	Size
V	500	P	- 4
Style	V – Valve		
	VP – Valve, Padlocking Handle		
	VV – Valve, Vented		
	VVP – Valve, Vented, Padlocking Handle		
Type	500 – Female/Female PTF Ports		
Material	P – Brass		
Size	4 – 1/4"		
	6 – 3/8"		
	8 – 1/2"		
	12 – 3/4"		
	16 – 1"		

Style	Type	Material	Size
V	500	P	- 20
Style	V – Valve		
	VP – Valve, Padlocking Handle		
Type	500 – Female/Female PTF Ports		
Material	P – Brass		
Size	20 – 1-1/4"		
	24 – 1-1/2"		
	32 – 2"		

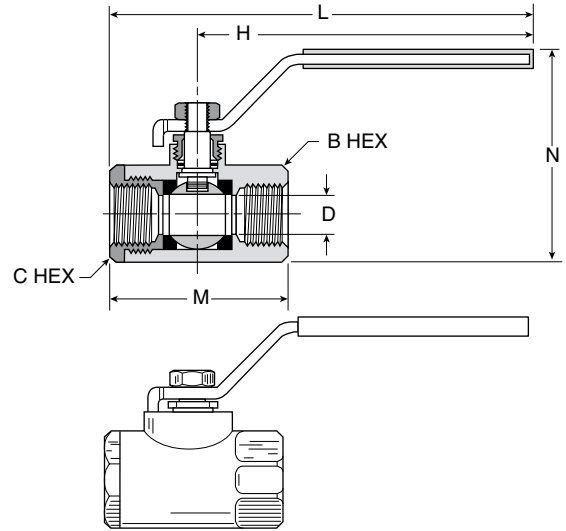
Flow Data

Valve Size	C _v
1/4	4.0
3/8	5.8
1/2	12.0
3/4	35.0
1	54.0
1-1/4	57.0
1-1/2	92.0
2	224.0

V500P Female-Female Pipe Ends

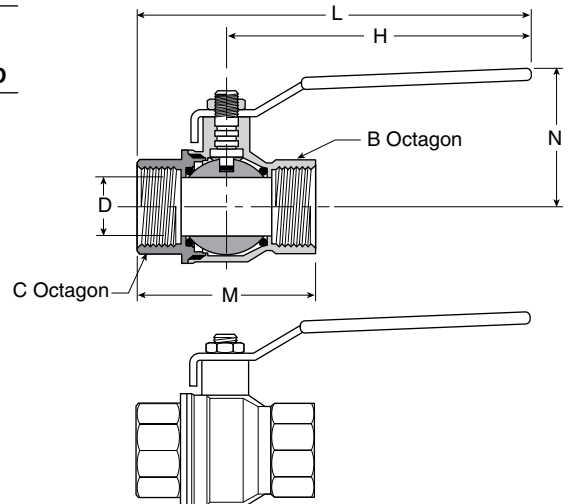
Part No.	Pipe Thread [PTF]	B Hex	C Hex	H	L	M	N	Flow Dia. D
V500P-4	1/4	15/16	15/16	3.96	4.90	2.03	2.47	0.375
V500P-6	3/8	15/16	15/16	3.96	4.90	2.03	2.47	0.375
V500P-8	1/2*	1-1/16	1-1/16	3.96	5.00	2.20	2.58	0.500
V500P-12	3/4**	1-1/4	1-5/16	3.96	5.25	2.42	2.81	0.685
V500P-16	1**	1-1/2	1-9/16	3.96	5.34	2.75	3.08	0.875

*PTF special short
**PTF special extra short



V500P-20, V500P-24, V500P-32 Female-Female Pipe Ends

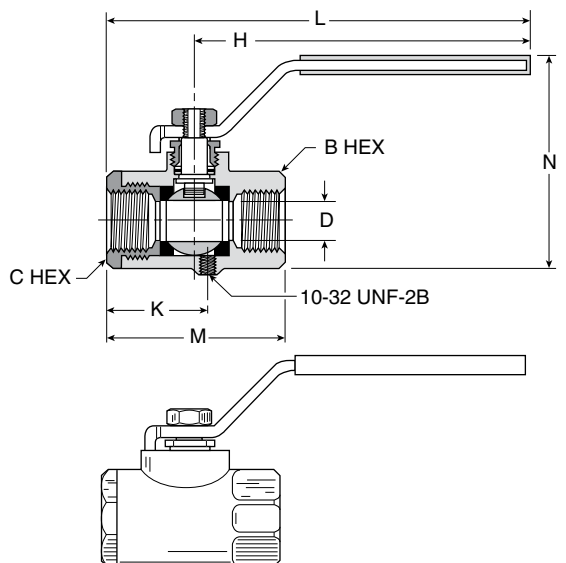
Part No.	Pipe Thread [PTF]	Octagon	H	L	M	N	Dia. D
V500P-20	1-1/4	1.93	6.22	8.05	3.66	3.01	1.18
V500P-24	1-1/2	2.13	6.22	8.23	4.02	3.25	1.50
V500P-32	2	2.69	6.22	8.58	4.76	3.52	1.89



VV500P Vented, Female Pipe Ends

Part No.	Pipe Thread [PTF]	B Hex	C Hex	K	H	L	M	N	Flow Dia. D
VV500P-4	1/4	15/16	15/16	1.11	3.96	4.90	2.03	2.47	0.375
VV500P-6	3/8	15/16	15/16	1.11	3.96	4.90	2.03	2.47	0.375
VV500P-8	1/2*	1-1/16	1-1/16	1.23	3.96	5.00	2.20	2.58	0.500
VV500P-12	3/4**	1-1/4	1-5/16	1.45	3.96	5.25	2.42	2.81	0.685
VV500P-16	1**	1-1/2	1-9/16	1.58	3.96	5.34	2.75	3.08	0.875

*PTF special short
**PTF special extra short



VP500P Locking Handle, Female Pipe Ends

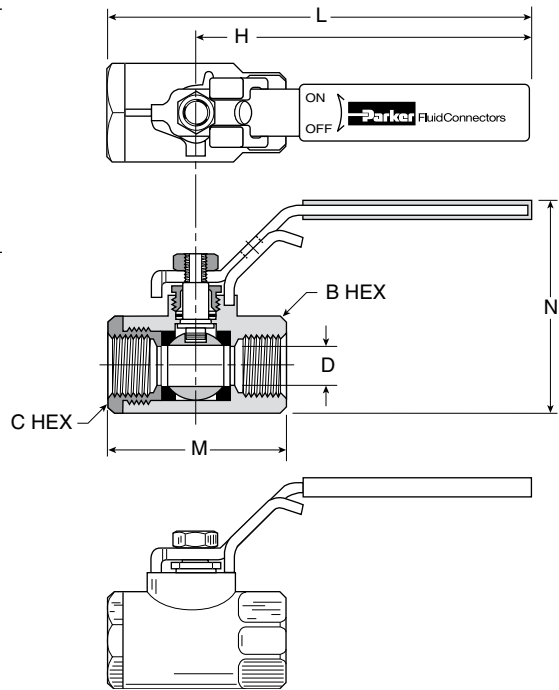
Part No.	Pipe Thread	B Hex	C Hex	H	L	M	N	Flow Dia. D
VP500P-4	1/4	15/16	15/16	3.96	4.90	2.03	2.47	0.375
VP500P-6	3/8	15/16	15/16	3.96	4.90	2.03	2.47	0.375
VP500P-8	1/2*	1-1/16	1-1/16	3.96	5.00	2.20	2.58	0.500
VP500P-12	3/4**	1-1/4	1-5/16	3.96	5.25	2.42	2.81	0.685
VP500P-16	1**	1-1/2	1-9/16	3.96	5.34	2.75	3.08	0.875

For use with 5/16" Dia. shank lock; 0.33 Dia.

VP500P-20	1-1/4	1-15/16	1-15/16	6.22	8.05	3.66	4.04	1.180
VP500P-24	1-1/2	2-1/8	2-1/8	6.22	8.23	4.02	4.52	1.500
VP500P-32	2	2-11/16	2-11/16	6.22	8.60	4.76	5.07	1.890

For use with 9/32" Dia. shank lock; 0.31 Dia.

*PTF special short
**PTF special extra short

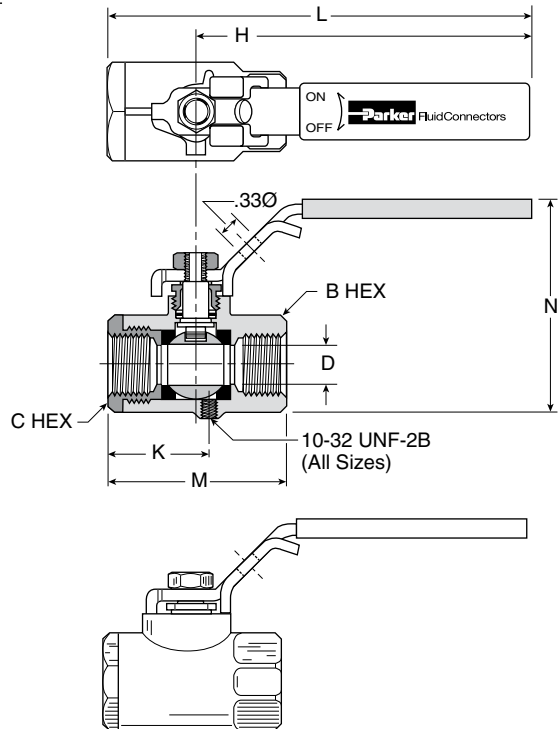


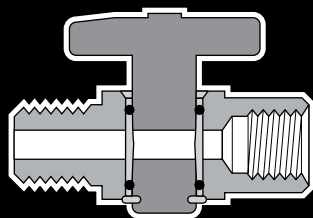
VVP500P OSHA 29 CFR Part 1910 Vented, Locking Handle, Female Pipe Ends

Part No.	Pipe Thread	B Hex	C Hex	K	H	L	M	N	Flow Dia. D
VVP500P-4	1/4	15/16	15/16	1.11	3.96	4.90	2.03	2.47	0.375
VVP500P-6	3/8	15/16	15/16	1.11	3.96	4.90	2.03	2.47	0.375
VVP500P-8	1/2*	1-1/16	1-1/16	1.23	3.96	5.00	2.20	2.58	0.500
VVP500P-12	3/4**	1-1/4	1-5/16	1.45	3.96	5.25	2.42	2.81	0.685
VVP500P-16	1**	1-1/2	1-9/16	1.58	3.96	5.34	2.75	3.08	0.875

For use with 5/16" Dia. shank lock

*PTF special short
**PTF special extra short





Plug Valves Series PV

Advantages

Compact design features internal nitrile seals and a one-piece extruded brass body, offering compatibility with a wide range of media. The one-piece stem/handle combination is constructed of glass reinforced acetal copolymer. Parker plug valves feature 1/4 turn shutoff allowing for ease of operation. All plug valves are 100% leak tested and are certified to be leak free to one SCCM.

Materials

Extruded Bodies: CA 360

Stem/Handle: Acetal Copolymer

O-Rings: Nitrile (other compounds available)

Stop Pin: 420SS

Spiral Ring: 302SS

Temperature and Working Pressure Ranges

From -40° to +175°F at 250 PSI maximum.

Applications

Manufactured for use with air, water, oil and certain other fluids. Contact factory for special fluid requirements.

Installation Instructions

To assure sealability and reliable performance, the valve must be installed so that the flow media travels in the direction of the arrow on the valve handle.

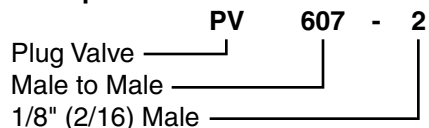
Order

By part number and name.

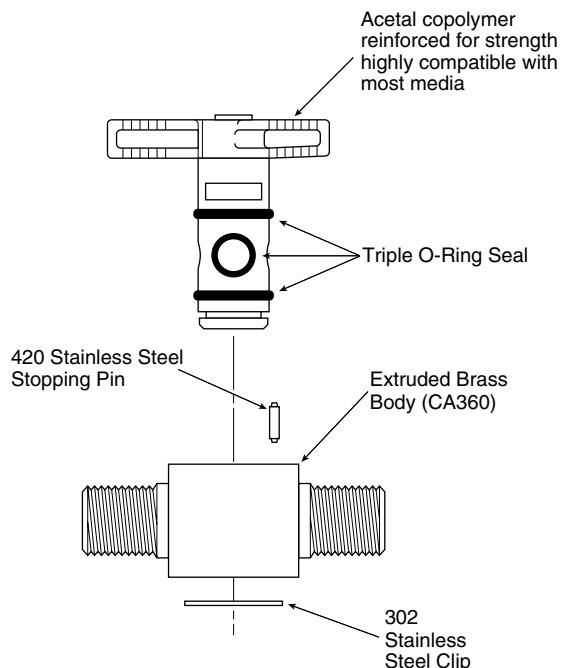
Nomenclature

Part numbers are constructed from symbols that identify the style and size of the fitting. The first series of numbers and letters identifies the style and type fitting. The second series of numbers describes the size.

Example:

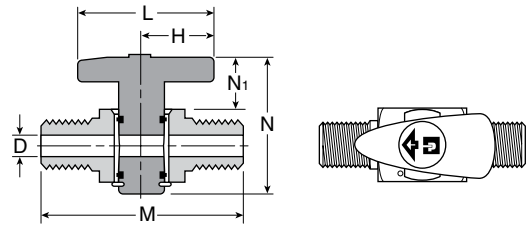


Features



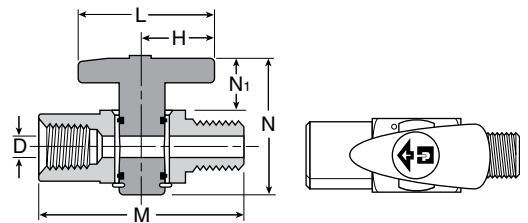
Male Pipe to Male Pipe Plug Valve PV607

Part No.	Pipe Thread	H	L	M	N	N1	Flow Dia. D
PV607-2	1/8	0.67	1.34	1.66	1.38	0.51	0.200
PV607-4	1/4	0.67	1.34	2.02	1.38	0.51	0.200



PV608 Female Pipe to Male Pipe Plug Valve

Part No.	Pipe Thread	H	L	M	N	N1	Flow Dia. D
PV608-2	1/8	0.67	1.34	1.67	1.38	0.51	0.200
PV608-4	1/4	0.67	1.34	2.06	1.38	0.51	0.200



PV609 Female Pipe to Female Pipe Plug Valve

Part No.	Pipe Thread	H	L	M	N	N1	Flow Dia. D
PV609-2	1/8	0.67	1.34	1.68	1.38	0.51	0.200
PV609-4	1/4	0.67	1.34	2.10	1.38	0.51	0.200

